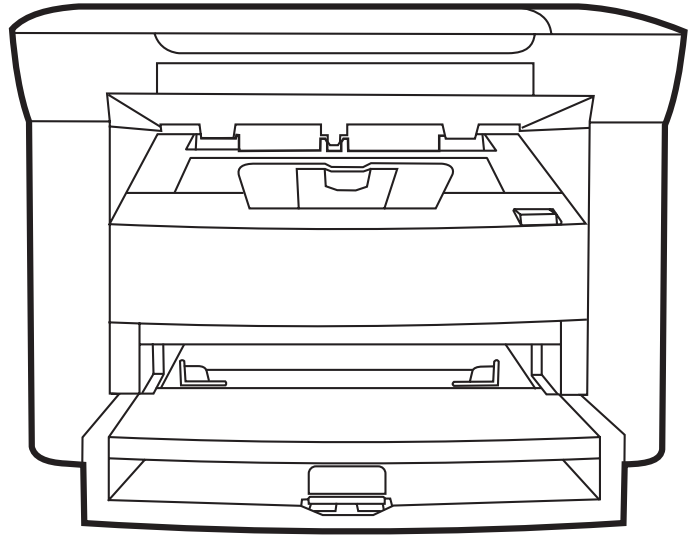


HP LaserJet M1005 MFP

User Guide



HP LaserJet M1005 MFP

User Guide



Copyright and License

© 2007 Copyright Hewlett-Packard Development Company, LP

Reproduction, adaptation, or translation without prior written permission is prohibited, except as allowed under the copyright laws.

The information contained in this document is subject to change without notice.

The only warranties for HP products and services are set forth in the express warranty statements accompanying such products and services. Nothing herein should be construed as constituting an additional warranty. HP shall not be liable for technical or editorial errors or omissions contained herein.

Part number CB376-90940

Edition 1, 12/2007

Trademark Credits

Adobe® and PostScript® are trademarks of Adobe Systems Incorporated.

Linux is a U.S. registered trademark of Linus Torvalds.

Microsoft®, Windows®, and Windows® XP are U.S. registered trademarks of Microsoft Corporation.

UNIX® is a registered trademark of The Open Group.

ENERGY STAR® and the ENERGY STAR mark® are U.S. registered marks of the United States Environmental Protection Agency.



Table of contents

1 Device basics

Device features	2
Device parts	3
Front view	3
Back view	3
Control panel	4

2 Software

Minimum system requirements	6
Supported operating systems	6
Software installation	7
Printer driver	8
Printer-driver Help	8
Changing printer-driver settings	9
Software for Windows	10
HP LaserJet Scan software	10
Installing Windows device software	10
Uninstalling Windows device software	10
Software for Macintosh	11
Installing Macintosh device software	11
Uninstalling Macintosh device software	11

3 Media specifications

General guidelines	14
Choosing paper and other media	14
HP media	14
Media to avoid	14
Media that can damage the device	15
Guidelines for using media	16
Paper	16
Colored paper	17
Custom-size media	17
Labels	17
Label construction	17

Transparencies	17
Envelopes	18
Envelope construction	18
Envelopes with double-side seams	18
Envelopes with adhesive strips or flaps	19
Envelope storage	19
Card stock and heavy media	19
Card stock construction	19
Card stock guidelines	19
Letterhead and preprinted forms	20
Supported media weights and sizes	21
Printing and storage environment	22

4 Using the device

Loading media	24
Loading documents to copy or scan	24
Loading input trays	24
Priority input tray	24
Main input tray (tray 1)	25
Controlling print jobs	26
Print-settings priorities	26
Selecting a source	26
Selecting a type or size	26
Using the device control panel	27
Changing the control-panel display language	27
Changing the default media size and type	27
To change the default media size	27
To change the default media type	28

5 Printing

Using features in the Windows printer driver	30
Creating and using quick sets	30
Creating and using watermarks	31
Resizing documents	31
Setting a custom paper size from the printer driver	32
Using different paper and printing covers	32
Printing a blank first page or last page	32
Printing multiple pages on one sheet of paper	32
Printing on both sides	33
Using features in the Macintosh printer driver	35
Creating and using presets	35
Printing a cover page (Macintosh)	36
Printing multiple pages on one sheet of paper (Macintosh)	36

Printing on both sides (Macintosh)	37
Printing on special media	39
Using archive print	39
Canceling a print job	40

6 Copy

Starting a copy job	42
Canceling a copy job	42
Adjusting the copy quality	42
Adjusting the lighter/darker (contrast) setting	44
Reducing or enlarging copies	45
Adjusting the copy size	45
Copying multiple pages on one sheet of paper	46
Changing the number of copies	47
Copying onto media of different types and sizes	48
Copying two-sided documents	50
Copying photos and books	52
Viewing copy settings	53

7 Scan

Understanding scanning methods	56
Scanning by using HP LaserJet Scan (Windows)	57
Canceling a scan job	57
Scanning by using other software	58
Using TWAIN-compliant and WIA-compliant software	58
Scanning from a TWAIN-enabled program	58
To scan from a TWAIN-enabled program	58
Scanning from a WIA-enabled program (Windows XP or Windows Server 2003)	58
To scan from a WIA-enabled program	58
Scanning a photo or a book	59
Scanning by using optical character recognition (OCR) software	60
Readiris	60
Scanner resolution and color	61
Resolution and color guidelines	62
Resolution	62
Color	62

8 Managing and maintaining the device

Information pages	64
Managing supplies	65
Checking supplies status	65
Storing supplies	65

Replacing and recycling supplies	65
Redistribute toner	65
HP policy on non-HP supplies	65
HP fraud hotline	66
Cleaning the device	67
To clean the exterior	67
To clean the scanner glass	67
To clean the lid backing	67
To clean the paper path	68
Changing the print cartridge	69

9 Problem solving

Problem-solving checklist	72
Clearing jams	74
Causes of jams	74
Tips to avoid jams	74
Where to look for jams	75
Input trays	76
Output bin	78
Print-cartridge area	78
Control-panel messages	80
Alert and warning messages	80
Alert and warning message tables	80
Critical error messages	81
Critical error message tables	81
Print problems	83
Print quality problems	83
Improving print quality	83
Understanding print-quality settings	83
Identifying and correcting print defects	84
Print-quality checklist	84
General print-quality issues	84
Media-handling problems	88
Print-media guidelines	88
Solving print-media problems	89
Performance problems	90
Copy problems	91
Preventing problems	91
Image problems	91
Media-handling problems	92
Performance problems	94
Scan problems	95
Solving scanned-image problems	95

Scan-quality problems	96
Preventing problems	96
Solving scan-quality problems	96
Control-panel display problems	97
Solving common Macintosh problems	98
Problems with Mac OS X V10.3 and Mac OS X V10.4	98
Problem-solving tools	100
Restoring the factory-set defaults	100
Reducing paper curl	100

Appendix A Accessories and ordering information

Supplies	102
Cable and interface accessories	102
User-replaceable parts	102
Paper and other print media	102

Appendix B Service and support

Hewlett-Packard limited warranty statement	106
Print Cartridge Limited Warranty Statement	107
Availability of support and service	108
HP Customer Care	108
Hardware service	109
Extended warranty	109
Guidelines for repacking the device	110

Appendix C Device specifications

Physical specifications	112
Electrical specifications	112
Power consumption	112
Environmental specifications	112
Acoustic emissions	113

Appendix D Regulatory information

FCC compliance	116
Environmental Product Stewardship program	116
Protecting the environment	116
Ozone production	116
Power consumption	116
HP LaserJet printing supplies	118
Disposal of waste equipment by users in private household in the European Union	119
Material safety data sheet	119
For more information	119
Declaration of conformity	120

Country-/region-specific safety statements	121
Laser safety statement	121
Canadian DOC statement	121
Korean EMI statement	121
Finnish laser statement	122

Glossary	123
-----------------------	------------

Index	125
--------------------	------------

1 Device basics

- [Device features](#)
- [Device parts](#)

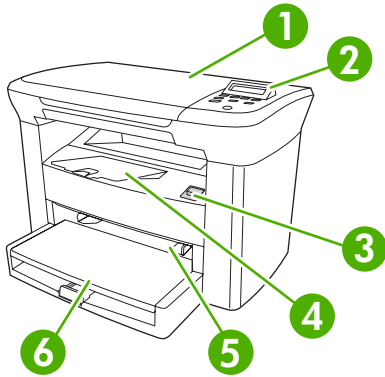
Device features

Print	<ul style="list-style-type: none">● Prints letter-size pages at speeds up to 15 pages per minute (ppm) and A4-size pages at speeds up to 14 ppm● Prints at 600 dots per inch (dpi) and FastRes 1200 dpi● Includes adjustable settings to optimize print quality● Average yield for the standard black print cartridge is 2000 pages in accordance with ISO/IEC 19752. Actual yield depends on specific use.
Copy	<ul style="list-style-type: none">● Copies at 300 dots per inch (dpi) <p>For more information, see Copy on page 41.</p>
Memory	<ul style="list-style-type: none">● Includes 32-megabyte (MB) random-access memory (RAM)
Paper handling	<ul style="list-style-type: none">● Priority input tray holds up to 10 pages● Tray 1 holds up to 150 sheets of print media or 10 envelopes● Output bin holds up to 100 sheets of print media
Scan	<ul style="list-style-type: none">● Provides 1200 pixels per inch (ppi) full-color scanning <p>For more information, see Scan on page 55.</p>
Printer driver features	<ul style="list-style-type: none">● FastRes 1200 produces 1200-dots-per-inch (dpi) print quality for fast, high-quality printing of business text and graphics
Interface connections	<ul style="list-style-type: none">● Includes a Hi-Speed USB 2.0 port
Environmental features	<ul style="list-style-type: none">● ENERGY STAR®-qualified
Economical printing	<ul style="list-style-type: none">● Provides N-up printing (printing more than one page on a sheet). See Printing multiple pages on one sheet of paper on page 32 or Printing multiple pages on one sheet of paper (Macintosh) on page 36.● Provides an EconoMode setting, which uses less toner
Accessibility	<ul style="list-style-type: none">● Online user guide is compatible with text screen-readers.● Print cartridges can be installed and removed by using one hand.● All doors and covers can be opened by using one hand.

Device parts

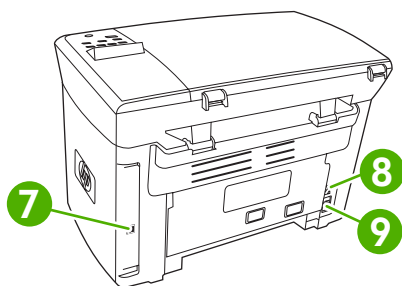
Before using the HP LaserJet M1005, familiarize yourself with the parts of the device.

Front view



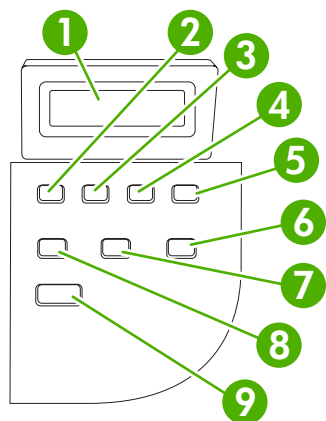
1	Flatbed scanner cover
2	Control panel
3	Cartridge-door release
4	Output bin
5	Priority input tray
6	Tray 1

Back view



7	Hi-Speed USB 2.0 port
8	Power switch
9	Power receptacle

Control panel



1	Control-panel display	<ul style="list-style-type: none"> Shows status information, menus, and error messages
2	Left arrow button	<ul style="list-style-type: none"> Navigates to the previous item in the list, or decreases the value of numeric items. With some numeric items, pressing the button once decreases the value by 1, while pressing and holding the button decreases the value by 10.
3	Menu/Enter/OK button	<ul style="list-style-type: none"> Activates the control-panel menus Clears an error condition when the condition is clearable Saves the selected value for an item Performs the action that is associated with the item that is highlighted on the control-panel display
4	Right arrow button	<ul style="list-style-type: none"> Navigates to the next item in the list, or increases the value of numeric items. With some numeric items, pressing the button once increases the value by 1, while pressing and holding the button increases the value by 10.
5	Cancel button	<ul style="list-style-type: none"> Cancels the current print, copy, or scan job in process and expels all of the active pages from the paper path. The time that it takes to cancel the job depends on the size of the print job. (Press the button only once.) Also clears continuable errors that are associated with the canceled job. Exits the control-panel menus
6	More Copy Settings button	<ul style="list-style-type: none"> Provides access to copy settings for the current copy job
7	Lighter/Darker button	<ul style="list-style-type: none"> Provides access to copy contrast settings for the current copy job
8	# Copies button	<ul style="list-style-type: none"> Provides a way to change the number of copies printed for a the current copy job
9	Start Copy button	<ul style="list-style-type: none"> Starts a copy job

2 Software

- [Minimum system requirements](#)
- [Supported operating systems](#)
- [Software installation](#)
- [Printer driver](#)
- [Software for Windows](#)
- [Software for Macintosh](#)

Minimum system requirements

In order to install and use the device software, your computer must meet the following minimum requirements:

Windows requirements

- Pentium II (233 MHz) processor
- 64 MB of RAM
- 35 MB of disk space
- SVGA 800x600 16-bit color monitor

Macintosh requirements

- G3, G4, or G5 PowerPC processor
- 128 MB of RAM
- 30 to 50 MB of disk space

Supported operating systems

The device comes with software for the following operating systems:

- Windows XP
- Windows 2000
- Windows Server 2003 (printer driver only)
- Mac OS X V10.3 and later


Software installation

If the computer meets the recommended minimum requirements, the installation process includes the following software.

- HP LaserJet Scan software program and driver
- Readiris OCR (not installed with other software; separate installation is required)
- Printer drivers (Windows and Mac)
- TWAIN driver (Mac)

Printer driver

The device comes with software for Windows and Macintosh that allows the computer to communicate with the device. This software is called a printer driver. Printer drivers provide access to device features, such as printing on custom-sized paper, resizing documents, and inserting watermarks.

 **NOTE:** The most recent drivers are available at www.hp.com. Depending on the configuration of Windows-based computers, the installation program for the product software automatically checks the computer for Internet access in order to obtain the latest drivers.

Printer-driver Help

Printer-driver Help is separate from program Help. The printer-driver help provides explanations for the buttons, check boxes, and drop-down lists that are in the printer driver. It also includes instructions for performing common printing tasks, such as printing on both sides, printing multiple pages on one sheet, and printing the first page or covers on different paper.

Activate the printer-driver Help screens in one of the following ways:

Windows	Macintosh
<ul style="list-style-type: none">• In the printer driver Properties dialog box, click the Help button.• Press the F1 key on the computer keyboard.• Click the question-mark symbol in the upper-right corner of the printer driver.• Right-click on any item in the driver, and then click What's This?.	<ul style="list-style-type: none">• In the Print dialog box, click the ? button.

Changing printer-driver settings

Use one of the following methods to open the printer drivers from the computer in order to change settings:

Operating System	To change the settings for all print jobs until the software program is closed	To change the print job default settings (for example, select a specific media type or size by default)	To change the configuration settings (for example, enable or disable manual duplexing)
Windows 2000, XP, and Server 2003	<ol style="list-style-type: none"> 1. On the File menu in the software program, click Print. 2. Select the name of the printer, and then click Properties or Preferences. <p>The steps can vary; this procedure is most common.</p>	<ol style="list-style-type: none"> 1. Click Start, click Settings, and then click Printers or Printers and Faxes. 2. Right-click the printer icon, and then select Printing Preferences. 	<ol style="list-style-type: none"> 1. Click Start, click Settings, and then click Printers or Printers and Faxes. 2. Right-click the printer icon, and then select Properties. 3. Click the Device Settings tab.
Mac OS X V10.3 and Mac OS X V10.4	<ol style="list-style-type: none"> 1. On the File menu, click Print. 2. Change the settings that you want on the various pop-up menus. 	<ol style="list-style-type: none"> 1. On the File menu, click Print. 2. Change the settings that you want on the various pop-up menus. 3. On the Presets pop-up menu, click Save as and type a name for the preset. <p>These settings are saved in the Presets menu. To use the new settings, you must select the saved preset option every time you open a program and print.</p>	<ol style="list-style-type: none"> 1. Open Printer Setup Utility by selecting the hard drive, clicking Applications, clicking Utilities, then double-clicking Printer Setup Utility. 2. Click on the print queue. 3. On the Printers menu, click Show Info. 4. Click the Installable Options menu.

Software for Windows


See the getting started guide for installation instructions, and see the Readme file for the latest software information.

HP LaserJet Scan software

The software CD includes the HP LaserJet Scan software. See the Readme file that is provided on the CD for additional included software and for supported languages.

Installing Windows device software

Insert the software CD that came with the printer into the computer CD-ROM drive. **Follow the on-screen installation instructions.**

 **NOTE:** If the Welcome screen does not open, click **Start** on the Windows task bar, click **Run**, type `Z:\setup` (where Z is your CD drive letter), and click **OK**.

Uninstalling Windows device software

1. Click **Start**, and then click **All Programs**.
2. Click **HP**, and then click **HP LaserJet M1005 MFP**.
3. Click **Uninstall HP LaserJet M1005 MFP**, and then follow the onscreen instructions to remove the software.

Software for Macintosh

This section describes how to install Macintosh printing system software.

Installing Macintosh device software

1. Connect a USB cable between the USB port on the printer and the USB port on the computer. Use a standard 2-meter (6.56-foot) USB cable.
2. Insert the printer CD into the CD-ROM drive and run the installer.

The Printer Setup Utility should automatically launch. If it does not launch, continue to the next step.
3. Double-click the hard drive icon on the desktop.
4. Open the **Applications** folder, and then open the **Utilities** folder.
5. Double-click **Printer Setup Utility**, and then follow the onscreen instructions to install the software.

Uninstalling Macintosh device software

1. Double-click the hard drive icon on the desktop.
2. Open the **Applications** folder, and then open the **Utilities** folder.
3. Double-click **Printer Setup Utility**.
4. In the Printer Setup Utility, select the device, and then click **Delete** on the toolbar.

3 Media specifications

- [General guidelines](#)
- [Choosing paper and other media](#)
- [Guidelines for using media](#)
- [Supported media weights and sizes](#)
- [Printing and storage environment](#)

General guidelines

Some media might meet all of the guidelines in this manual and still not produce satisfactory results. This problem might be the result of improper handling, unacceptable temperature and humidity levels, or other variables over which Hewlett-Packard has no control.

Before purchasing large quantities of print media, always test a sample and make sure that the print media meets the requirements specified in this user guide and in the *HP LaserJet Printer Family Print Media Guide*, which you can view on the Web at www.hp.com/support/ljpaperguide. For ordering information, see [Accessories and ordering information on page 101](#).


△ **CAUTION:** Using media that does not meet HP specifications can cause problems for the device, requiring repair. This repair is not covered by the Hewlett-Packard warranty or service agreements.

The device accepts a variety of media, such as cut-sheet paper (including up to 100% recycled-fiber-content paper), envelopes, labels, transparencies, LaserJet glossy paper, HP LaserJet Tough paper, and custom-size paper. Properties such as weight, composition, grain, and moisture content are important factors that affect performance and output quality. Media that does not meet the guidelines outlined in this manual can cause the following problems:

- Poor print quality
- Increased jams
- Premature wear on the device, requiring repair

Choosing paper and other media

Properties such as weight, grain, and moisture content are important factors that affect performance and quality. To achieve the best possible print quality, only use high-quality media that is designed for laser printers. See [Guidelines for using media on page 16](#) for detailed paper and media specifications.

 **NOTE:** Always test a sample of the media before you purchase large quantities. Your media supplier should understand the requirements specified in the *HP LaserJet Printer Family Print Media Guide* (HP part number 5963-7863). See [Guidelines for using media on page 16](#) for more information.

HP media

HP recommends that you use HP LaserJet media in the device.

Media to avoid

The device can handle many types of media. Using media that is outside the specifications degrades print quality and increases the chance of jams occurring.

- Do not use media that is too rough.
- Do not use media that contains cutouts or perforations other than standard 3-hole punched paper.
- Do not use multipart forms.
- Do not use paper that contains a watermark if you are printing solid patterns.

Media that can damage the device

In rare circumstances media can damage the device. Avoid the following types of media to prevent possible damage:

- Do not use media with staples attached.
- Do not use transparencies designed for inkjet printers or other low-temperature printers. Use only transparencies that are specified for use with HP LaserJet printers.
- Do not use photo paper intended for inkjet printers.
- Do not use paper that is embossed or coated and is not designed for the temperature of the image-fuser. Select media that can tolerate temperatures of 200°C (392°F) for 0.1 second. HP manufactures a media that is designed for the device.
- Do not use letterhead paper that was produced with low-temperature dyes or thermography. Preprinted forms or letterhead must use inks that can tolerate temperatures of 200°C (392°F) for 0.1 second.
- Do not use any media that produces emissions, or that melts, offsets, or discolors when exposed to 200°C (392°F) for 0.1 second.

To order HP LaserJet printing supplies, go to www.hp.com/go/ljsupplies in the U.S. or to www.hp.com/ghp/buyonline.html/ worldwide.

Guidelines for using media

The following sections provide guidelines and instructions for printing on transparencies, envelopes, and other special media. Guidelines and specifications are included to help you select media that optimizes print quality and avoid media that can cause jams or damage the device.


Paper

For best results, use conventional 80-g/m² or 20-lb paper. Make sure that the paper is of good quality and free of cuts, nicks, tears, spots, loose particles, dust, wrinkles, voids, and curled or bent edges.

If you are unsure about what type of paper you are loading (such as bond or recycled), check the label on the package of paper.

Some paper causes print quality problems, jamming, or damage to the device.

Symptom	Problem with paper	Solution
Poor print quality or toner adhesion Problems with feeding	Too moist, too rough, too smooth, or embossed	Try another kind of paper that has a smoothness rating of 100-250 Sheffield and has 4-6 % moisture content. Check the device and make sure that the appropriate media type has been selected.
Dropouts, jamming, or curl	Stored improperly	Store paper flat in its moisture-proof wrapping.
Increased gray background shading	Might be too heavy	Use lighter paper.
Excessive curl Problems with feeding	Too moist, wrong grain direction, or short-grain construction	Use long-grain paper. Check the device and make sure that the appropriate media type has been selected.
Jamming or damage to device	Cutouts or perforations	Do not use paper with cutouts or perforations.
Problems with feeding	Ragged edges	Use good quality paper.

 **NOTE:** The device uses heat and pressure to fuse toner to the paper. Make sure that any colored paper or preprinted forms use inks that are compatible with the fuser temperature of 200°C (392°F) for 0.1 second.

Do not use letterhead that is printed with low-temperature inks, such as those used in some types of thermography.

Do not use raised letterhead.

Do not use transparencies that are designed for inkjet printers or other low-temperature printers. Use only transparencies that are specified for use with HP LaserJet printers.

Colored paper

- Colored paper should be of the same high quality as white xerographic paper.
- Pigments used must be able to withstand the fuser temperature of 200°C (392°F) for 0.1 second without deterioration.
- Do not use paper with a colored coating that was added after the paper was produced.

Custom-size media

Use the main input tray for multiple sheets. See [Supported media weights and sizes on page 21](#) for the supported media sizes.

△ **CAUTION:** Make sure that the sheets are not stuck together before you load them.

Labels

HP recommends that you print labels from the priority input tray. See [Loading media on page 24](#) for more information.

△ **CAUTION:** Do not feed a sheet of labels through the device more than once. The adhesive degrades and might damage the device.

Label construction

When selecting labels, consider the quality of the following components:

- **Adhesives:** The adhesive material should be stable at 200°C (392°F), the maximum fuser temperature.
- **Arrangement:** Only use labels with no exposed backing between them. Labels can peel off sheets that have spaces between the labels, causing serious jams.
- **Curl:** Before printing, labels must lie flat with no more than 13 mm (0.5 inch) of curl in any direction.
- **Condition:** Do not use labels with wrinkles, bubbles, or other indications of separation.

Transparencies

Transparencies must be able to withstand 200°C (392°F), the maximum fuser temperature.

△ **CAUTION:** You can print transparencies from the 150-sheet tray (tray 1). However, do not load more than 75 transparencies at one time into the tray.

Envelopes

HP recommends that you print envelopes from the priority input tray. See [Loading media on page 24](#) for more information.

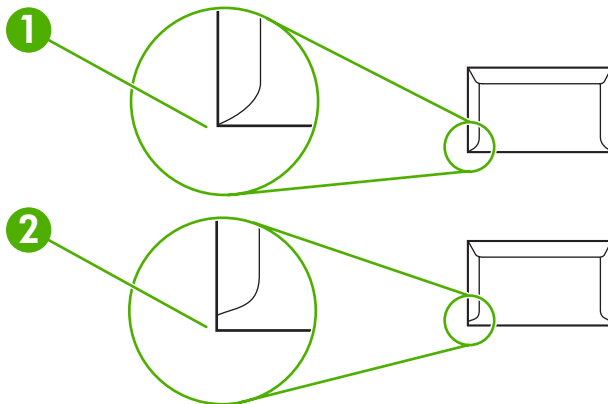
Envelope construction

Envelope construction is critical. Envelope fold lines can vary considerably, not only between manufacturers, but also within a box from the same manufacturer. Successful printing on envelopes depends upon the quality of the envelopes. When selecting envelopes, consider the following components:

- **Weight:** The weight of the envelope paper should not exceed 90 g/m² (24 lb), or jamming might result.
- **Construction:** Before printing, envelopes should lie flat with less than 6 mm (0.25 inch) of curl, and should not contain air. Envelopes that trap air can cause problems. Do not use envelopes that contain clasps, snaps, tie strings, transparent windows, holes, perforations, cutouts, synthetic materials, stamping, or embossing. Do not use envelopes with adhesives that require pressure to seal them.
- **Condition:** Make sure that the envelopes are not wrinkled, nicked, or otherwise damaged. Make sure that the envelopes do not have any exposed adhesive.

Envelopes with double-side seams

An envelope with double-side-seam construction has vertical seams at both ends of the envelope rather than diagonal seams. This style might be more likely to wrinkle. Make sure that the seam extends all the way to the corner of the envelope as shown in the following illustration:



1	Acceptable envelope construction
2	Unacceptable envelope construction

Envelopes with adhesive strips or flaps

Envelopes with a peel-off adhesive strip or with more than one flap that folds over to seal must use adhesives compatible with the heat and pressure in the device: 200°C (392°F). The extra flaps and strips might cause wrinkling, creasing, or jams.


Envelope storage

Proper storage of envelopes contributes to good print quality. You should store envelopes flat. If air is trapped in an envelope, creating an air bubble, the envelope might wrinkle during printing.

Card stock and heavy media

You can print many types of card stock from the input tray, including index cards and postcards. Some card stock performs better than others because its construction is better suited for feeding through a laser printer.

For optimum performance, do not use paper heavier than 157 g/m² (42 lb). Paper that is too heavy might cause misfeeds, stacking problems, jams, poor toner fusing, poor print quality, or excessive mechanical wear.

 **NOTE:** You might be able to print on heavier paper if you do not fill the input tray to capacity and if you use paper with a smoothness rating of 100-180 Sheffield.

In either the software program or the printer driver, select **Heavy** (106 g/m² to 163 g/m²; 28- to 43-lb bond) or **Cardstock** (135 g/m² to 216 g/m²; 50- to 80-lb cover) as the media type, or print from a tray that is configured for heavy paper. Because this setting affects all print jobs, it is important to return the device back to its original settings after the job has printed.

Card stock construction

- **Smoothness:** 135-157 g/m² (36-42 lb) card stock should have a smoothness rating of 100-180 Sheffield. 60-135 g/m² (16-36 lb) card stock should have a smoothness rating of 100-250 Sheffield.
- **Construction:** Card stock should lie flat with less than 5 mm (0.2 inch) of curl.
- **Condition:** Make sure that the card stock is not wrinkled, nicked, or otherwise damaged.


Card stock guidelines

- Set margins at least 2 mm (0.08 inch) away from the edges.
- Use tray 1 for card stock (135 g/m² to 216 g/m²; 50- to 80-lb cover).

Letterhead and preprinted forms


Letterhead is premium paper that often has a watermark, sometimes uses cotton fiber, and is available in a wide range of colors and finishes with matching envelopes. Preprinted forms can be made of a broad spectrum of paper types ranging from recycled to premium.

Many manufacturers now design these grades of paper with properties optimized for laser printing and advertise the paper as laser compatible or laser guaranteed. Some of the rougher surface finishes, such as cockle, laid, or linen, might require the special fuser modes that are available on some printer models to achieve adequate toner adhesion.

 **NOTE:** Some page-to-page variation is normal when printing with laser printers. This variation cannot be observed when printing on plain paper. However, this variation is obvious when printing on preprinted forms because the lines and boxes are already placed on the page.

To avoid problems when using preprinted forms, embossed paper, and letterhead, observe the following guidelines:

- Avoid using low-temperature inks (the kind used with some types of thermography).
- Use preprinted forms and letterhead paper that have been printed by offset lithography or engraving.
- Use forms that have been created with heat-resistant inks that will not melt, vaporize, or release emissions when heated to 200°C (392°F) for 0.1 second. Typically, oxidation-set or oil-based inks meet this requirement.
- When the form is preprinted, be careful not to change the moisture content of the paper, and do not use materials that change the paper's electrical or handling properties. Seal the forms in moisture-proof wrap to prevent moisture changes during storage.
- Avoid processing preprinted forms that have a finish or coating.
- Avoid using heavily embossed or raised-letterhead papers.
- Avoid papers that have heavily textured surfaces.
- Avoid using offset powders or other materials that prevent printed forms from sticking together.

 **NOTE:** To print a single-page cover letter on letterhead, followed by a multiple-page document, feed the letterhead face up in the priority input tray, and load the standard paper in the main input tray (tray 1). The device automatically prints from the priority input tray first.

Supported media weights and sizes

For optimum results, use conventional 80 to 90 g/m² (20 to 24 lb) photocopy paper. Verify that the paper is of good quality and is free of cuts, nicks, tears, spots, loose particles, dust, wrinkles, curls, and bent edges.


 **NOTE:** The device supports a wide range of standard and custom sizes of print media. The capacity of trays and bins can vary depending on media weight and thickness and on environmental conditions. Use only transparencies that are designed for use with HP LaserJet printers. Inkjet and monochrome transparencies are not supported for the device.

Table 3-1 Priority input tray specifications

Media	Dimensions ¹	Weight	Capacity ²
Paper	Minimum: 89 x 44 mm (3.5 x 1.75 inches) Maximum: 216 x 356 mm (8.5 x 14 inches)	42 to 260 g/m ² (11 to 69 lb)	Up to 10 sheets of 80 g/m ² or 20 lb paper
HP Cover paper ³	Same as the preceding listed minimum and maximum sizes	203 g/m ² (75 lb cover)	1 sheet
Transparencies and opaque film		Thickness: 0.10 to 0.13 mm (3.9 to 5.1 mils)	1 transparency
Labels ⁴		Thickness: up to 0.23 mm (up to 9 mils)	1 sheet of labels
Envelopes		Up to 90 g/m ² (16 to 24 lb)	Up to 10

¹ The device supports a wide range of standard and custom sizes of print media. Check the printer driver for supported sizes.

² Capacity can vary depending on media weight and thickness, and environmental conditions.

³ Hewlett-Packard does not guarantee results when printing with other types of heavy paper.

⁴ Smoothness: 100 to 250 (Sheffield).

Table 3-2 Tray 1 specifications

Media	Dimensions ¹	Weight	Capacity ²
Minimum size	76 x 127 mm (3 x 5 inches)	60 to 163 g/m ² (16 to 43 lb)	150 sheets of 80 g/m ² (20 lb) paper
Maximum size	216 x 356 mm (8.5 x 14 inches)		
Letter	216 x 279 mm (8.5 x 11 inches)		
A4	210 x 297 mm (8.3 x 11.7 inches)		
Legal	216 x 356 mm (8.5 x 14 inches)		
A5	148 x 210 mm (5.8 x 8.3 inches)		
B5 (ISO)	176 x 250 mm (6.9 x 9.9 inches)		
B5 (JIS)	182 x 257 mm (7.2 x 10 inches)		
Executive	191 x 267 mm (7.3 x 10.5 inches)		
8.5 x 13 inches	216 x 330 mm (8.5 x 13 inches)		

¹ The device supports a wide range of standard sizes of print media. Check the printer driver for supported sizes.

² Capacity can vary depending on the media weight and thickness, and environmental conditions.

Printing and storage environment

Ideally, the printing and media-storage environment should be at or near room temperature, and not too dry or too humid. Remember that paper absorbs and loses moisture rapidly.

Heat works with humidity to damage paper. Heat causes the moisture in paper to evaporate, while cold causes it to condense on the sheets. Heating systems and air conditioners remove most of the humidity from a room. As paper is opened and used, it loses moisture, causing streaks and smudging. Humid weather or water coolers can cause the humidity to increase in a room. As paper is opened and used it absorbs any excess moisture, causing light print and dropouts. Also, as paper loses and gains moisture it can distort. This issue can cause jams.

As a result, paper storage and handling are as important as the paper-making process itself. Paper storage environmental conditions directly affect the feed operation and print quality.

Care should be taken not to purchase more paper than can be easily used in a short time (about three months). Paper stored for long periods can experience heat and moisture extremes, which can cause damage. Planning is important to prevent damage to a large supply of paper.

Unopened paper in sealed reams can remain stable for several months before use. Opened packages of paper have more potential for environmental damage, especially if they are not wrapped with a moisture-proof barrier.

The media-storage environment should be maintained to ensure optimum performance. The required condition is 20° to 24°C (68° to 75°F), with a relative humidity of 45% to 55%. The following guidelines are helpful when evaluating the storage environment:

- Print media should be stored at or near room temperature.
- The air should not be too dry or too humid.
- The best way to store an opened ream of paper is to rewrap it tightly in its moisture-proof wrapping. If the device environment is subject to extremes, unwrap only the amount of paper to be used during the day's operation to prevent unwanted moisture changes.
- Avoid storing paper and print media near heating and air conditioning vents or near windows and doors that are frequently open.

4 Using the device

- [Loading media](#)
- [Controlling print jobs](#)
- [Using the device control panel](#)

Loading media

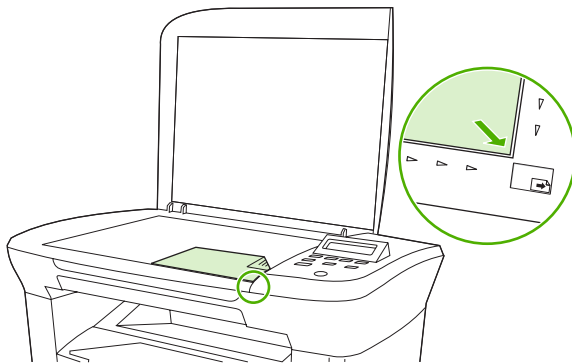
The following sections describe how to load media into the different input trays.

- △ **CAUTION:** Printing on wrinkled, folded, or damaged media can cause jams. See [Guidelines for using media on page 16](#) for more information.

Loading documents to copy or scan

Use these instructions to load originals into the device for scanning.

1. Lift the flatbed scanner cover.
2. Place the original document face-down on the flatbed scanner with the upper-left corner of the document at the lower-right corner of the glass.

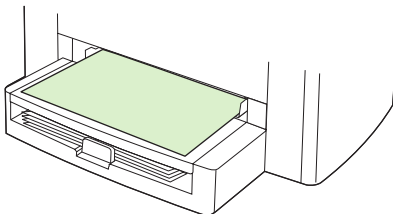


3. Gently close the lid.

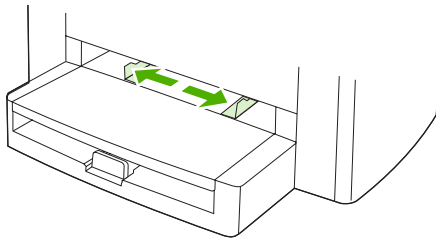
The document is ready to be copied or scanned.

Loading input trays

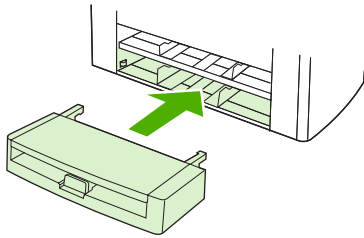
Priority input tray



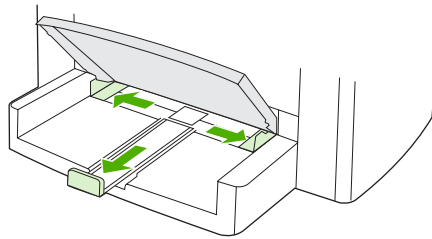
The priority input tray on the HP LaserJet M1005 MFP holds up to 10 sheets of media up to 80 g/m² (20 lb) in weight or one envelope, transparency, or card. Load media with the top forward and the side to be printed facing up. To prevent jams and skewing, always adjust the side media guides before feeding the media.




Main input tray (tray 1)



The main input tray holds up to 150 pages of 80 g/m² or 20 lb paper or fewer pages of heavier media (15 mm (0.6 in) or less stack height). Load media with the top forward and the side to be printed facing down. To prevent jams and skewing, always adjust the side and rear media guides.



 **NOTE:** When you add new media, make sure that you remove all of the media from the input tray and straighten the stack of new media. This helps to prevent multiple sheets of media from feeding into the device, which can cause jams.

Controlling print jobs

This section provides basic printing instructions. When making changes to printing settings, follow the hierarchy of how changes are prioritized.

 **NOTE:** The names of commands and dialog boxes might vary depending on your software program.

Print-settings priorities

When making changes to printing settings, follow the hierarchy of how changes are prioritized. (Note that the names of commands and dialog boxes might vary depending on your software program.)

- **Page Setup dialog box:** This dialog box opens when you click **Page Setup** or a similar command on the **File** menu in your software program. This dialog box is part of the program in which you are working. **Settings that are changed here override settings that are changed anywhere else.**
- **Print dialog box:** This dialog box opens when you click **Print**, **Print Setup**, or a similar command on the **File** menu in your software program. It is also part of the program, but it has a lower priority than the **Page Setup** dialog box. Settings that are changed in the **Print** dialog box *do not* override settings that are changed in the **Page Setup** dialog box. Settings that are changed here *do* override settings that are changed in the printer driver.
- **Printer driver:** The printer driver opens when you click **Properties** in the **Print** dialog box. Settings that are changed here *do not* override settings that are changed anywhere else. (For Macintosh, the printer driver settings are integrated into the **Print** dialog box.)

Selecting a source

You can print by source (tray) or by type or size. To print by source, follow these steps. For Macintosh operating systems, types and sizes are grouped together under the **Paper Source** pop-up menu.

- Windows: In the **Print** dialog box in your software program, select the Source (tray), if possible. Otherwise, select a tray from the **Source is** field from the **Paper** tab in your printer driver.
- Mac OS X V10.3 and later: From the **Print** dialog box, select the tray or type of media on the **Paper** pop-up menu.

Selecting a type or size

You can print by source (tray) or by type or size. If you are printing on special print media, such as heavy paper, it is important to print by type to achieve good results. To print by type or size, follow these steps. For Macintosh operating systems, types and sizes are all grouped together under the **Paper Source** pop-up menu.

- Windows: In the printer driver, select a type in the **Type is** field of the **Paper** tab. Or, select a size from the **Size is** field. For some paper, such as letterhead, you select both a type and size.
- Mac OS X V10.3 and later: In the **Print** dialog box, select the tray or type of media on the **Paper** pop-up menu.

Using the device control panel

You can configure settings at the control panel.

Changing the control-panel display language

Use this procedure to print reports or to show messages on the device control-panel display in a language other than the default for your country/region.

1. Press **Menu/Enter**.
2. Use the **<** or the **>** button to select **System setup**, and then press **Menu/Enter**.
3. Use the **<** or the **>** button to select **Language**, and then press **Menu/Enter**.
4. Use the **<** or the **>** button to select the language that you want.
5. Press **Menu/Enter** to save the selection.

Changing the default media size and type

Set the size and type of media that you usually load in the input tray. The device uses these settings for copying and printing.

To change the default media size

1. Press **Menu/Enter**.
2. Use the **<** or the **>** button to select **System setup**, and then press **Menu/Enter**.
3. Use the **<** or the **>** button to select **Paper setup**, and then press **Menu/Enter**.
4. Use the **<** or the **>** button to select **Def. paper size**, and then press **Menu/Enter**.
5. Use the **<** or the **>** button to select the size.
6. Press **Menu/Enter** to save the selection.

To change the default media type

1. Press **Menu/Enter**.
2. Use the **<** or the **>** button to select **System setup**, and then press **Menu/Enter**.
3. Use the **<** or the **>** button to select **Paper setup**, and then press **Menu/Enter**.
4. Use the **<** or the **>** button to select **Def. paper type**, and then press **Menu/Enter**.
5. Use the **<** or the **>** button to select the type.
6. Press **Menu/Enter** to save the selection.

5 Printing


This section provides information about common printing tasks.

- [Using features in the Windows printer driver](#)
- [Using features in the Macintosh printer driver](#)
- [Printing on special media](#)
- [Using archive print](#)
- [Canceling a print job](#)

Using features in the Windows printer driver


When you print from a software program, many of the product features are available from the printer driver. For complete information about the features that are available in the printer driver, see the printer-driver Help. The following features are described in this section:

- [Creating and using quick sets](#)
- [Creating and using watermarks](#)
- [Resizing documents](#)
- [Setting a custom paper size from the printer driver](#)
- [Using different paper and printing covers](#)
- [Printing a blank first page or last page](#)
- [Printing multiple pages on one sheet of paper](#)
- [Printing on both sides](#)

 **NOTE:** Settings in the printer driver and software program generally override control-panel settings. Software-program settings generally override printer-driver settings.

Creating and using quick sets

Use quick sets to save the current driver settings for reuse. For example, you can save the page-orientation, print-on-both-sides, and paper-source settings in a quick set. Quick sets are available on most printer-driver tabs. You can save up to 10 Print Task Quick Sets.


 **NOTE:** The printer driver might report that 10 Print Task Quick Sets have been defined when fewer than 10 are visible. Some predefined Print Task Quick Sets, which do not apply to your product, might be included and are counted in the total number.

To create a quick set

1. Open the printer driver (see [Changing printer-driver settings on page 9](#)).
2. Select the print settings that you want to use.
3. In the **Quick Sets** box, type a name for the selected settings (for example "Quarterly Report" or "My Project Status").
4. Click **Save**.

To use quick sets

1. Open the printer driver (see [Changing printer-driver settings on page 9](#)).
2. Select the quick set that you want to use from the **Quick Sets** drop-down list.
3. Click **OK**. The product is now set to print according to the saved settings in the quick set.

 **NOTE:** To restore printer-driver default settings, select **Default Print Settings** from the **Quick Sets** drop-down list.

Creating and using watermarks

A watermark is a notice, such as "Confidential," that is printed in the background of each page of a document.

To use an existing watermark

1. Open the printer driver (see [Changing printer-driver settings on page 9](#)).
2. From the **Effects** tab, click the **Watermarks** drop-down list.
3. Click the watermark that you want to use.
4. If you want the watermark to appear only on the first page of the document, click **First Page Only**.
5. Click **OK**. The product is now set to print the watermark that you have selected.

To remove the watermark, click **(none)** in the **Watermarks** drop-down list.

Resizing documents

Use the document resizing options to scale a document to a percentage of its normal size. You can also choose to print a document on a different size paper, with or without scaling.

To reduce or enlarge a document

1. Open the printer driver (see [Changing printer-driver settings on page 9](#)).
2. On the **Effects** tab, next to **% of normal size**, type the percentage by which you want to reduce or enlarge your document.

You can also use the scroll bar to adjust the reduce or enlarge percentage.

3. Click **OK**. The product is now set to scale the document to the reduce or enlarge percentage that you selected.

To print a document onto a different paper size

1. Open the printer driver (see [Changing printer-driver settings on page 9](#)).
2. On the **Effects** tab, click **Print Document On**.
3. Select the target paper size to print on.
4. To print the document on the target paper size without scaling it to fit, make sure that the **Scale to Fit** option is *not* selected.
5. Click **OK**. The product is now set to print the document as you specified.

Setting a custom paper size from the printer driver

To set a custom paper size

1. Open the printer driver (see [Changing printer-driver settings on page 9](#)).
2. On the **Paper/Quality** tab, click **Custom**.
3. On the **Custom Paper Size** window, type the name of the custom paper size.
4. Type the paper-size length and width. If you type a size that is too small or too large, the driver automatically adjusts the size to the minimum or maximum size that is allowed.
5. If necessary, click the button to change the unit of measure between millimeters and inches.
6. Click **Save**.
7. Click **Close**. The product is now set to print the document on the custom-size paper that you selected. The name that you saved appears in the paper-size list for future use.


Using different paper and printing covers

Follow these instructions for printing a first page that is different from other pages in the print job.

1. Open the printer driver (see [Changing printer-driver settings on page 9](#)).
2. On the **Paper/Quality** tab, select the appropriate paper for the first page of the print job.
3. Click **Use different paper**.
4. In the list box, click the pages or covers that you want to print on different paper.
5. To print front or back covers, you must also select **Add Blank or Preprinted Cover**.

-or-

Select the appropriate paper type or source for the other pages of the print job. The product is now set to print the document on the paper that you selected.

 **NOTE:** The paper size must be the same for all pages of the print job.

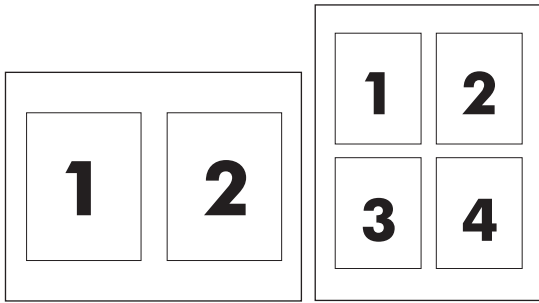
Printing a blank first page or last page

1. Open the printer driver (see [Changing printer-driver settings on page 9](#)).
2. On the **Paper/Quality** tab, click **Use different paper**.
3. In the list box, click **Front Cover** or **Back Cover**.
4. Click **Add Blank or Preprinted Cover**.

Printing multiple pages on one sheet of paper


You can print more than one page on a single sheet of paper. This feature is available in some drivers and provides a cost-effective way to print draft pages.

To print more than one page on a sheet of paper, look for a layout or pages-per-sheet option in the driver. (This is sometimes called 2-up, 4-up, or n-up printing.)




1. Open the printer driver (see [Changing printer-driver settings on page 9](#)).
2. Click the **Finishing** tab.
3. In the section for **Document Options**, select the number of pages that you want to print on each sheet (1, 2, 4, 6, 9, or 16).
4. If the number of pages is greater than 1, select the correct options for **Print Page Borders** and **Page Order**.
 - Click **Print Page Borders** if you want to print a border around each page on the sheet.
 - Click **Page Order** to select the order and placement of the pages on the sheet.
5. Click **OK**. The product is now set to print the number of pages per sheet that you have selected.

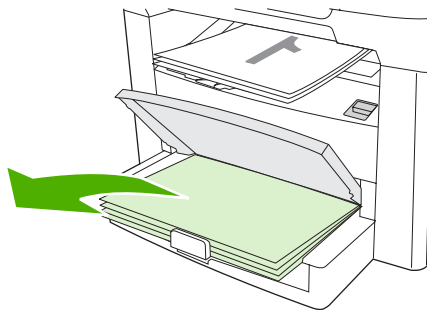
Printing on both sides

 **NOTE:** The printer driver also contains instructions and graphics for manually duplexing.

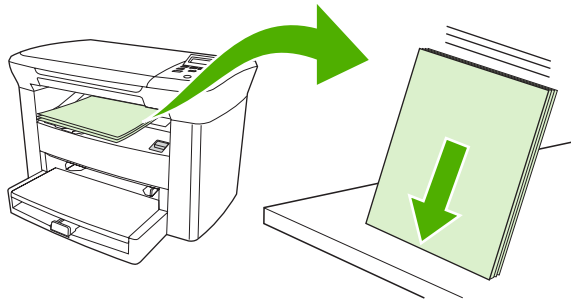
1. In the software program, open the device properties (printer driver).
2. On the **Finishing** tab, select **Print on Both Sides (Manually)**.

 **NOTE:** If the **Print on Both Sides** option is dimmed or unavailable, open the device properties (printer driver). On the **Device Settings** tab or the **Configure** tab, select **Allow Manual Duplexing**, and then click **OK**. Repeat steps 1 and 2.

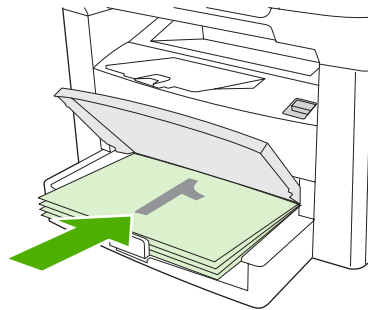
3. Print the document.
4. After one side has been printed, remove the remaining media from the input tray, and set it aside until after you finish your manual duplexing job.



5. Without changing the orientation, remove the printed stack from the output bin, and then straighten the stack.



6. Maintaining the same orientation, place the stack of media in the input tray again. The printed side should be facing down with the top edge feeding into the device first.




7. On the device control panel, click **OK** and wait for the second side to print.

Using features in the Macintosh printer driver

When you print from a software program, many of the features are available from the printer driver. For complete information about the features that are available in the printer driver, see the printer-driver Help. The following features are described in this section:

- [Creating and using presets](#)
- [Printing a cover page \(Macintosh\)](#)
- [Printing multiple pages on one sheet of paper \(Macintosh\)](#)
- [Printing on both sides \(Macintosh\)](#)

 **NOTE:** Settings in the printer driver and software program generally override control-panel settings. Software-program settings generally override printer-driver settings.

Creating and using presets

Use presets to save the current driver settings for reuse. For example, you can save the page orientation, print-on-both-sides feature, and paper-type settings in a preset.

To create a preset

1. Open the printer driver (see [Changing printer-driver settings on page 9](#)).
2. Select the print settings that you want to use.
3. In the **Presets** box, click **Save As...**, and type a name for the preset (for example "Quarterly Report" or "My Project Status").
4. Click **OK**.

To use presets

1. Open the printer driver (see [Changing printer-driver settings on page 9](#)).
2. In the **Presets** menu, select the preset that you want to use.

 **NOTE:** To restore printer-driver default settings, select **Standard** from the **Presets** pop-up menu.

Printing a cover page (Macintosh)

If you want to, you can print a separate cover page for your document that includes a message (such as “Confidential”).

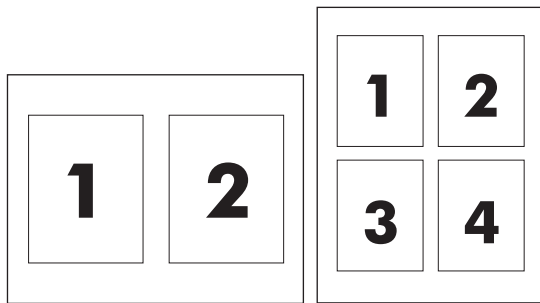
1. Open the printer driver (see [Changing printer-driver settings on page 9](#)).
2. On the **Cover Page** pop-up menu, select whether to print the cover page **Before Document** or **After Document**.
3. If you are using Mac OS X V10.3 or Mac OS X V10.4, in the **Cover Page Type** pop-up menu, select the message that you want to print on the cover page.



NOTE: To print a blank cover page, select **Standard** as the **Cover Page Type**.

Printing multiple pages on one sheet of paper (Macintosh)

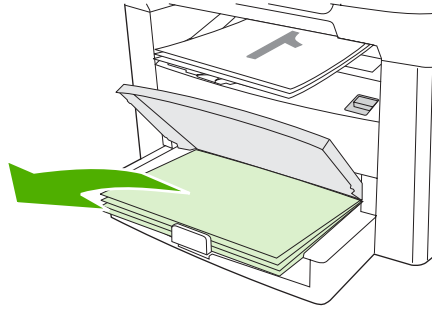
You can print more than one page on a single sheet of paper. This feature provides a cost-effective way to print draft pages.



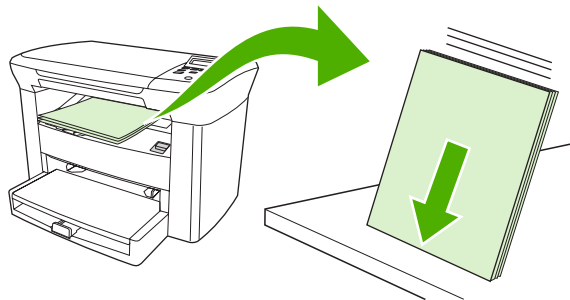
1. Open the printer driver (see [Changing printer-driver settings on page 9](#)).
2. Click the **Layout** pop-up menu.
3. Next to **Pages per Sheet**, select the number of pages that you want to print on each sheet (1, 2, 4, 6, 9, or 16).
4. If the number of pages is greater than 1, next to **Layout Direction**, select the order and placement of the pages on the sheet.
5. Next to **Borders**, select the type of border to print around each page on the sheet.

Printing on both sides (Macintosh)

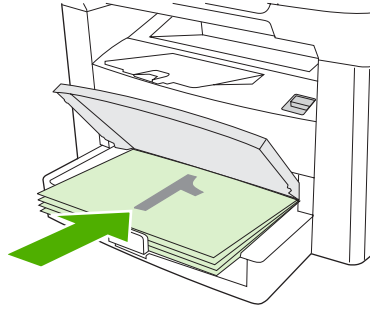
1. On the **Print** dialog, select **Manual Duplex**.
2. In the **Manual Duplex** area, select **Print on Both Sides (Manually)**.
3. Print the document.
4. After one side has been printed, remove the remaining media from the input tray, and set it aside until after you finish your manual duplexing job.



5. Without changing the orientation, remove the printed stack from the output bin, and then straighten the stack.



6. Maintaining the same orientation, place the stack of media in the input tray again. The printed side should be facing down with the top edge feeding into the device first.

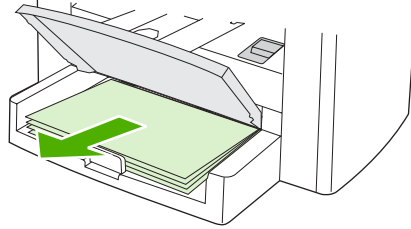


7. On the device control-panel, click **OK** and wait for the second side to print.

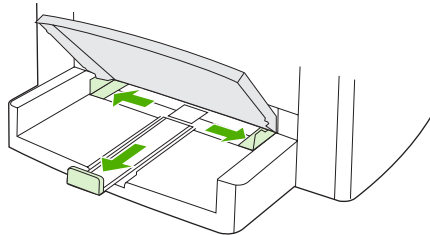
Printing on special media

Make sure that the paper or print media that you are using meets HP specifications. See [Media specifications on page 13](#). Generally, smoother paper provides better results.

1. Open the media input tray and remove any media.



2. Load the media. Make sure that the top of the media is forward and the side to be printed on is facing up.
3. Adjust the media guides to the length and width of the media.



4. For Windows printer drivers, on the **Paper** tab or the **Paper/Quality** tab, select your media type from the **Type is:** drop-down list.

For Macintosh printer drivers, on the **Paper/Quality** tab or the **Paper** tab (the **Paper Type/Quality** tab for some Macintosh drivers), select your media type.

△ **CAUTION:** Be sure to set the correct media type in the device settings. The device adjusts the fuser temperature according to the media type setting. When printing on special media such as transparencies or labels, this adjustment prevents the fuser from damaging the media as it passes through the device.

5. Print the document.

Using archive print

Archive print produces output that reduces toner smearing and dusting. Use archive print to create documents that you want to preserve.

1. On the device control panel, press **Menu/Enter**.
2. Use the **<** or the **>** button to select **Service**, and then press **Menu/Enter**.
3. Use the **<** or the **>** button to select **Archive print**, select **On** or **Off**, and then press **Menu/Enter**.

Canceling a print job

If a print job is currently printing, you can cancel it by pressing **Cancel** on the device control panel.

△ **CAUTION:** Pressing **Cancel** clears the job that the device is currently processing. If more than one process is running, pressing **Cancel** clears the process that currently appears on the control panel.

You can also cancel a print job from a software program or a print queue.

To stop the print job immediately, remove the remaining print media from the device. After printing stops, use one of the following options:

- **Device control panel:** To cancel the print job, press and release **Cancel** on the control panel.
- **Software program:** Typically, a dialog box appears briefly on the computer screen, allowing you to cancel the print job.
- **Windows print queue:** If a print job is waiting in a print queue (computer memory) or print spooler, delete the job there.
 - **Windows 2000:** Go to the **Printer** dialog box. Click **Start**, click **Settings**, and then click **Printers**. Double-click the device icon to open the window, select your print job, and then click **Delete**.
 - **Windows XP:** Click **Start**, and then click **Printers and Faxes**. Double-click the icon for the device to open the window, right-click the print job that you want to cancel, and then click **Cancel**.
- **Macintosh print queue:** Open the print queue by double-clicking the device icon in the dock. Then highlight the print job and click **Delete**.

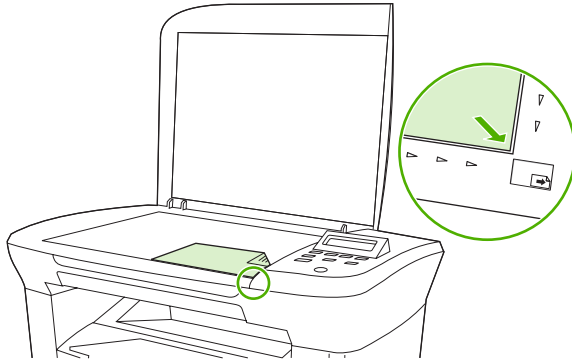
6 Copy

- [Starting a copy job](#)
- [Canceling a copy job](#)
- [Adjusting the copy quality](#)
- [Adjusting the lighter/darker \(contrast\) setting](#)
- [Reducing or enlarging copies](#)
- [Changing the number of copies](#)
- [Copying onto media of different types and sizes](#)
- [Copying two-sided documents](#)
- [Copying photos and books](#)
- [Viewing copy settings](#)

Starting a copy job

To make copies with the device, use the following instructions.

1. Lift the scanner lid, and then load your document face-down (one page at a time) with the upper-left corner of the document located in the lower-right corner of the scanner glass.



2. Press **Start Copy** on the device control panel to start copying.
3. Repeat the process for each copy.

For more detailed instructions about loading documents to copy, see [Loading documents to copy or scan on page 24](#).

Canceling a copy job

To cancel a copy job, press **Cancel** on the device control panel. If more than one process is running, pressing **Cancel** clears the process that currently appears on the control-panel display.

 **NOTE:** If you cancel a copy job, remove the document from the flatbed scanner.

Adjusting the copy quality

Five copy-quality settings are available: **Draft**, **Text**, **Mixed**, **Film photo**, and **Picture**.

- **Text:** This setting is the best for items that contain mostly text. This is the default setting.
- **Film photo:** This setting is the best for photographs.
- **Picture:** This setting is the best for graphics.
- **Mixed:** This setting is the best for documents that include both text and graphics.
- **Draft:** This setting is the best for conserving toner.

To adjust the copy quality for the current job

1. On the device control panel, press **More Copy Settings** twice to see the current quality setting for the copy.
2. Use the < or the > button to scroll through the quality setting options.
3. Select a setting, and then press **Start Copy** to save the selection and immediately start the copy job, or press **Menu/Enter** to save the selection without starting the job.

 **NOTE:** The change in the setting remains active for about two minutes after the copy job has been completed. During this time, **Settings=Custom** appears on the device control-panel display.

To adjust the default copy quality


1. On the device control panel, press **Menu/Enter**.
2. Use the < or the > button to select **Copy setup**, and then press **Menu/Enter**.
3. Press **Menu/Enter** to select **Default Quality**.
4. Use the < or the > button to scroll through the choices.
5. Press **Menu/Enter** to save the selection.

Adjusting the lighter/darker (contrast) setting


The lighter/darker setting affects the lightness or darkness (contrast) of the copy. Use the following procedure to change the contrast for the current copy job only.

To adjust the lighter/darker setting for the current job

1. On the device control panel, press **Lighter/Darker** to see the current contrast setting.
2. Use the **<** or the **>** button to adjust the setting. Move the slider to the left to make the copy lighter than the original, or move the slider to the right to make the copy darker than the original.
3. Press **Start Copy** to save the selection and immediately start the copy job, or press **Menu/Enter** to save the selection without starting the job.

 **NOTE:** The change in the setting remains active for about two minutes after the copy job has been completed. During this time, **Settings=Custom** appears on the device control-panel display.

To adjust the default lighter/darker setting

 **NOTE:** The default lighter/darker setting affects all copy jobs.

1. On the device control panel, press **Menu/Enter**.
2. Use the **<** or the **>** button to select **Copy setup**, and then press **Menu/Enter**.
3. Use the **<** or the **>** button to select **Def. Light/dark**, and then press **Menu/Enter**.
4. Use the **<** or the **>** button to adjust the setting. Move the slider to the left to make all of the copies lighter than the original, or move the slider to the right to make all of the copies darker than the original.
5. Press **Menu/Enter** to save the selection.

Reducing or enlarging copies

The device can reduce copies to as little as 25% of the original size or enlarge copies to as much as 400% of the original size.

Reduction/enlargement settings


- **Original=100%**
- **A4 > Ltr=94%**
- **Ltr > A4=97%**
- **Full page=91%**
- **2 pages/sheet**
- **4 pages/sheet**
- **Custom: 25-400%**

 **NOTE:** For information about using the **2 pages/sheet** or **4 pages/sheet** setting, see [Copying multiple pages on one sheet of paper on page 46](#).


Adjusting the copy size

To reduce or enlarge copies for the current job

1. On the device control panel, press **More Copy Settings**.
2. Use the **<** or the **>** button to select **Reduce/Enlarge**, and then press **Menu/Enter**.
3. Use the **<** or the **>** button to select the size to which you would like to reduce or enlarge the copies in this job.


 **NOTE:** If you select **Custom: 25-400%**, use the **<** or the **>** button to adjust the percentage.

4. Press **Start Copy** to save the selection and immediately start the copy job, or press **Menu/Enter** to save the selection without starting the job.


 **NOTE:** The change in the setting remains active for about two minutes after the copy job has been completed. During this time, **Settings=Custom** appears on the device control-panel display.

You must change the default media size in the media input tray to match the output size, or part of your copy might be cut off.

To adjust the default copy size

 **NOTE:** The default copy size is the size to which copies are normally reduced or enlarged. If you keep the factory default size setting of **Original=100%**, all copies will be the same size as the original document.

1. On the device control panel, press **Menu/Enter**.
2. Use the **<** or the **>** button to select **Copy setup**, and then press **Menu/Enter**.
3. Use the **<** or the **>** button to select **Def. Reduce/Enlrg**, and then press **Menu/Enter**.
4. Use the **<** or the **>** button to select the option for how you normally want to reduce or enlarge copies.


 **NOTE:** If you select **Custom: 25-400%**, type in the percentage of the original size that you normally want for copies.

If you select **2 pages/sheet** or **4 pages/sheet**, select the orientation (portrait or landscape).

5. Press **Menu/Enter** to save the selection.

Copying multiple pages on one sheet of paper

1. On the device control panel, press **More Copy Settings**.
2. Use the **<** or the **>** button to select **Reduce/Enlarge**, and then press **Menu/Enter**.
3. Use the **<** or the **>** button to select **2 pages/sheet** or **4 pages/sheet**, and then press **Menu/Enter**.
4. Use the **<** or the **>** button to select **Portrait** or **Landscape**, and then press **Start Copy**.
5. Wait for the scanner to stop scanning. The **Next Page [OK] to Continue** message appears.
6. Remove the original from the flatbed scanner, put the next original onto the scanner, and then close the lid.
7. Press **OK**.
 - If you selected **2 pages/sheet**, the device prints the copy with two original pages on one page.
 - If you selected **4 pages/sheet**, repeat steps 6 and 7 two more times. The device prints the copy with four original pages on one page.

 **NOTE:** The change in the setting remains active for about two minutes after the copy job has been completed. During this time, **Settings=Custom** appears on the device control-panel display.

You must change the default media size in the media input tray to match the output size, or part of your copy might be cut off.

Changing the number of copies

You can choose to have the default number of copies be any number from 1 to 99.

To change the number of copies for the current job

1. On the device control panel, press **# Copies**.
2. Use the **<** or the **>** button to adjust the number of copies, and then press **Menu/Enter**.
3. Press **Start Copy**.

 **NOTE:** The change in the setting remains active for about two minutes after the copy job has been completed. During this time, **Settings=Custom** appears on the device control-panel display.

To change the default number of copies

1. On the device control panel, press **Menu/Enter**.
2. Use the **<** or the **>** button to select **Copy setup**, and then press **Menu/Enter**.
3. Use the **<** or the **>** button to select **Def. # of copies**, and then press **Menu/Enter**.
4. Use the **<** or the **>** button to adjust the number of copies (between 1 and 99) that you want as the default.
5. Press **Menu/Enter** to save the selection.

 **NOTE:** The factory-set default for the number of copies is **1**.

Copying onto media of different types and sizes

The device is set to copy on either letter- or A4-size paper, depending on the country/region in which it was purchased. You can change the size and type of media that you copy to for the current copy job or for all copy jobs.

Media-size settings

- Letter
- Legal
- A4

Media-type settings

- Plain
- Preprinted
- Letterhead
- Transparency
- Prepunched
- Labels
- Bond
- Recycled
- Color
- Light
- Heavy
- Cardstock
- Envelope
- Rough Paper

To change the default media-size setting

1. On the device control panel, press **Menu**.
2. Use the < or the > button to select **System setup**, and then press **Menu/Enter**.
3. Use the < or the > button to select **Paper setup**, and then press **Menu/Enter**.
4. Use the < or the > button to select **Def. paper size**, and then press **Menu/Enter**.
5. Use the < or the > button to select a media size, and then press **Menu/Enter**.
6. Press **Menu/Enter** to save the selection.

To change the default media-type setting type

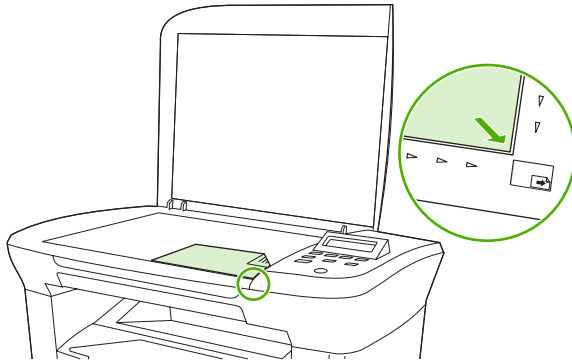
1. On the device control panel, press **Menu**.
2. Use the < or the > button to select **System setup**, and then press **Menu/Enter**.
3. Use the < or the > button to select **Paper setup**, and then press **Menu/Enter**.
4. Use the < or the > button to select **Def. paper type**, and then press **Menu/Enter**.
5. Use the < or the > button to select a media type, and then press **Menu/Enter**.
6. Press **Menu/Enter** to save the selection.

Copying two-sided documents

Copying a two-sided original to a one-sided document

Copies resulting from these procedures are printed on one side, and need to be hand-collated.

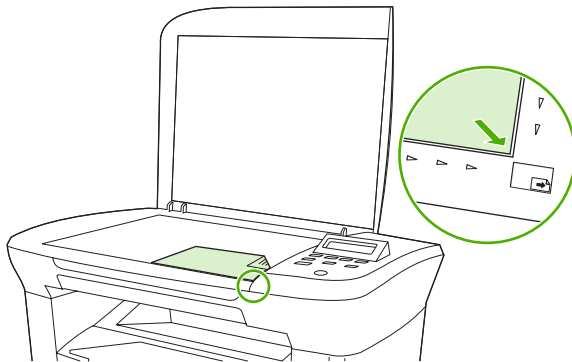
1. Load the first page of the document to be copied face-down onto the flatbed scanner, and then close the scanner lid.



2. Press **Start Copy**.
3. Flip the page on the scanner to the second side, and then close the scanner lid.
4. Press **Start Copy**.
5. Repeat steps 1 through 4 for each page until all of the original document pages have been copied.

Copying a two-sided original to a two-sided document

1. Load the first page of the document to be copied face-down onto the flatbed scanner, and then close the scanner lid.



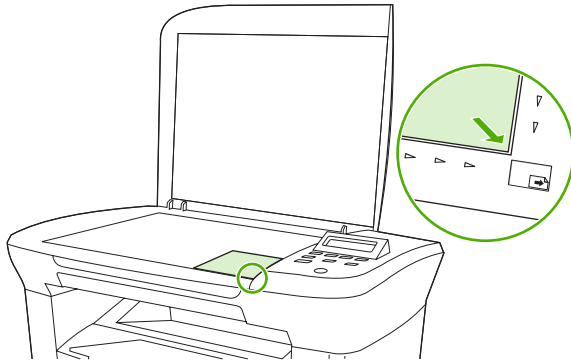
2. Press **Start Copy**.
3. Flip the page on the scanner to the second side, and then close the scanner lid.
4. Remove the copied page from the output bin and place it face down into the priority input tray with the top edge feeding into the device first.
5. Press **Start Copy**.

6. Remove the copied page from the output bin, and then set it aside for manual collating.
7. Repeat steps 1 through 6, following the original document page order, until all pages of the original are copied.

Copying photos and books

To copy a photo

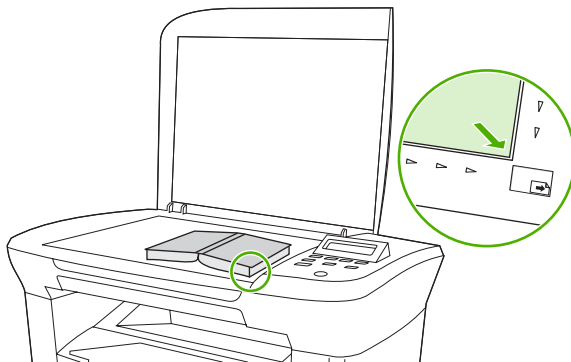
1. Lift the lid and place the photo on the flatbed scanner with the picture-side down and the upper-left corner of the photo in the lower-right corner of the glass.



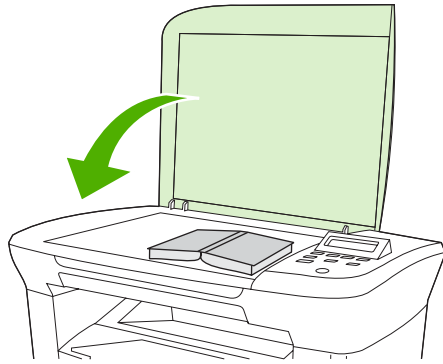
2. Gently close the lid.
3. Adjust the copy quality setting to **Film photo**. See [Adjusting the copy quality on page 42](#).
4. Press **Start Copy**.

To copy a book

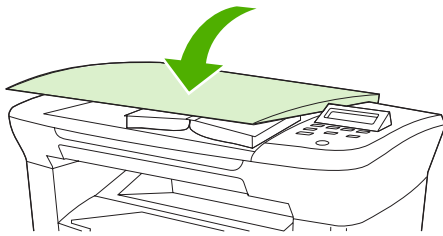
1. Lift the lid and place the book on the flatbed scanner with the page that you want to copy at the lower-right corner of the glass.



2. Gently close the lid.



3. Gently press down on the lid to press the book to the flatbed scanner surface.



4. Press **Start Copy**.

Viewing copy settings

Use the **More Copy Settings** button to see the copy settings for the current copy job.

1. Press **More Copy Settings** to see the current setting for copy contrast.
2. Continue to press **More Copy Settings** to scroll through the copy settings for the current copy job. Settings should appear in the following order: copy contrast, copy quality, media size, media type, reduction/enlargement, and number of copies.

Use the **<** or the **>** button to change the settings, and then press **Menu/Enter**.

7 Scan


- [Understanding scanning methods](#)
- [Scanning by using HP LaserJet Scan \(Windows\)](#)
- [Canceling a scan job](#)
- [Scanning by using other software](#)
- [Scanning a photo or a book](#)
- [Scanning by using optical character recognition \(OCR\) software](#)
- [Scanner resolution and color](#)

For information about cleaning the flatbed scanner, see [To clean the scanner glass on page 67](#).

Understanding scanning methods

You can scan an item in the following ways.

- **Scan from the computer by using HP LaserJet Scan (Windows):** In the device program group, select **Scan To** to start HP LaserJet Scan. See [Scanning by using HP LaserJet Scan \(Windows\) on page 57](#).
- **Scan from TWAIN-compliant software:** The device is TWAIN-compliant and works with Windows-based and Macintosh-based programs that support TWAIN-compliant scanning. For more information, see [Scanning by using other software on page 58](#).
- **Scan from Windows Imaging Application (WIA)-compliant software:** The device is WIA-compliant and works with Windows-based programs that support WIA-compliant scanning. For more information, see [Scanning by using other software on page 58](#).

 **NOTE:** To learn about and use text-recognition software, install the Readiris program from the software CD-ROM. Text-recognition software is also known as optical character recognition (OCR) software.

Scanning by using HP LaserJet Scan (Windows)

For more information about tasks and settings described in this section, see the HP LaserJet Scan online Help.

For more detailed instructions about loading original documents onto the flatbed scanner, see [Loading documents to copy or scan on page 24](#).


1. Click **Start**, click **All Programs**, click **HP**, and then click **HP LaserJet M1005 MFP**.
2. Select **Scan To** to start HP LaserJet Scan.
3. Select a scanning destination.
4. Click **Scan**.

Canceling a scan job

To cancel a scan job, use one of the following procedures.

- On the device control panel, press **Cancel**.
- Click the **Cancel** button in the onscreen dialog box.

If you cancel a scan job, remove the original from the flatbed scanner.

 **NOTE:** These procedures vary with Macintosh operating systems.

Scanning by using other software

The device is TWAIN-compliant and Windows Imaging Application (WIA)-compliant. The device works with Windows-based programs that support TWAIN-compliant or WIA-compliant scanning devices and with Macintosh-based programs that support TWAIN-compliant scanning devices.

Using TWAIN-compliant and WIA-compliant software

From a TWAIN-enabled or WIA-enabled program, you can open the scanning feature and scan an image directly into the open program. For more information, see the Help file or the documentation that came with your TWAIN-compliant or WIA-compliant software program.

Scanning from a TWAIN-enabled program

Generally, a software program is TWAIN-enabled if it has a command such as **Acquire**, **File Acquire**, **Scan**, **Import New Object**, **Insert from**, or **Scanner**. If you are unsure whether the program is compliant or you do not know what the command is called, see the software program Help or documentation.

When scanning from a TWAIN-enabled program, the HP LaserJet Scan software program might start automatically. If the HP LaserJet Scan program starts, you can make changes while you are previewing the image. If the program does not start automatically, the image goes to the TWAIN-enabled program immediately.

To scan from a TWAIN-enabled program

Start the scan from within the TWAIN-enabled program. See the software program Help or documentation for information about the commands and steps to use.

Scanning from a WIA-enabled program (Windows XP or Windows Server 2003)

WIA is another way to scan an image directly into a software program, such as Microsoft Word. WIA uses Microsoft software to scan, instead of the HP LaserJet Scan software.

Generally, a software program is WIA-enabled if it has a command such as **Picture/From Scanner or Camera** in the **Insert** or **File** menu. If you are unsure whether the program is WIA-enabled, see the software program Help or documentation.

To scan from a WIA-enabled program

Start the scan from within the WIA-enabled program. See the software program Help or documentation for information about the commands and steps to use.

-Or-

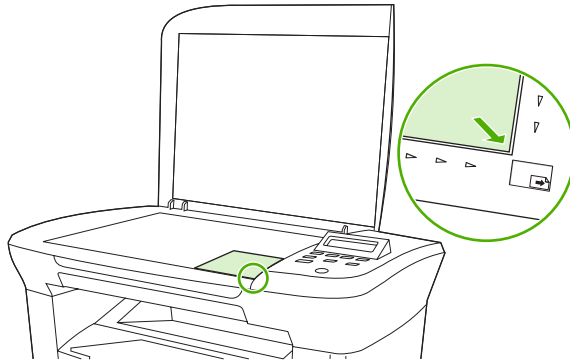
In the Cameras and Scanner folder, double-click the device icon. This opens the standard Microsoft WIA Wizard, which enables you to scan to a file.

Scanning a photo or a book

Use the following procedures to scan a photo or a book.

To scan a photo

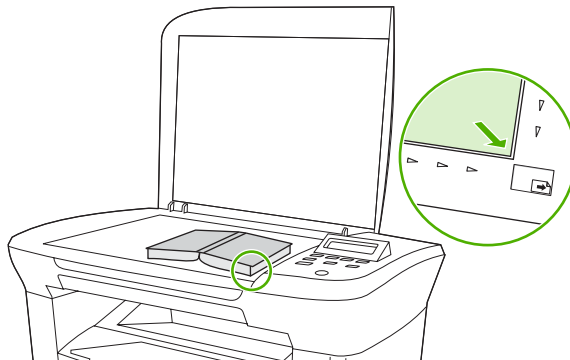
1. Place the photo on the flatbed scanner with the picture-side down and the upper-left corner of the photo in the lower-right corner of the glass.



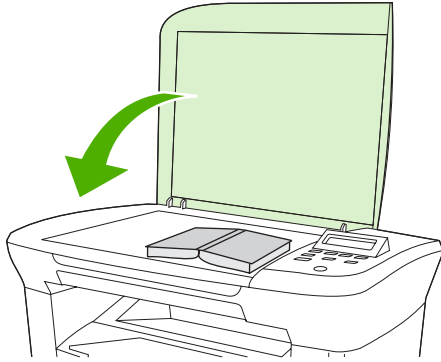
2. Gently close the lid.
3. You are now ready to scan the photo by using one of the scanning methods. See [Understanding scanning methods on page 56](#) for more information.

To scan a book

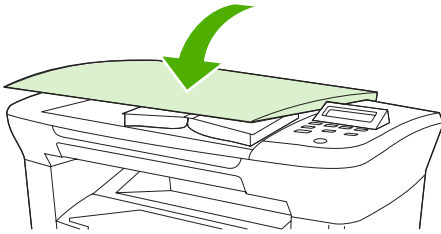
1. Lift the lid and place the book on the flatbed scanner with the page that you want to copy at the lower-right corner of the glass.



2. Gently close the lid.



3. Gently press down on the lid to press the book to the flatbed scanner surface.



4. You are now ready to scan the book by using one of the scanning methods. See [Understanding scanning methods on page 56](#) for more information.

Scanning by using optical character recognition (OCR) software

You can use third-party OCR software to import scanned text into your preferred word-processing program for editing.

Readiris

The device software CD-ROMs include the Readiris OCR program. If you want to use the Readiris program, install it from the appropriate software CD-ROM, and then follow the instructions in the online Help.

Scanner resolution and color

If you are printing a scanned image, and the quality is not what you expected, you might have selected a resolution or color setting in the scanner software that does not match your needs. Resolution and color affect the following features of scanned images:


- Image clarity
- Texture of gradations (smooth or rough)
- Scan time
- File size

Scanning resolution is measured in pixels per inch (ppi).

 **NOTE:** Scanning ppi levels are not interchangeable with printing dpi (dots per inch) levels.

Color, grayscale, and black and white define the number of colors possible. You can adjust the scanner hardware resolution to up to 1200 ppi. The software can perform an enhanced resolution up to 19,200 ppi. You can set color and grayscale at 1 bit (black and white), or at 8 bit (256 levels of gray or color) to 24 bit (true color).

The resolution and color guidelines table lists simple tips that you can follow to meet your scanning needs.

 **NOTE:** Setting the resolution and color to a high value can create large files that take up a large amount of disk space and slow the scanning process. Before setting the resolution and color, determine how you are going to use the scanned image.

Resolution and color guidelines

The following tables describe the recommended resolution and color settings for different types of scan jobs.

Resolution

Intended use	Recommended resolution	Recommended color settings
E-mail	150 ppi	<ul style="list-style-type: none">• Black and White, if the image does not require smooth gradation• Grayscale, if the image requires smooth gradation• Color, if the image is in color
Edit text	300 ppi	<ul style="list-style-type: none">• Black and White
Print (graphics or text)	600 ppi for complex graphics, or if you want to significantly enlarge the document 300 ppi for normal graphics and text 150 ppi for photos	<ul style="list-style-type: none">• Black and White for text and line art• Grayscale for shaded or colored graphics and photos• Color, if the image is in color
Display on screen	75 ppi	<ul style="list-style-type: none">• Black and White for text• Grayscale for graphics and photos• Color, if the image is in color

Color

Setting	Recommended use
Color	Use this setting for high-quality color photos or documents in which the color is important.
Black and White	Use this setting for text documents.
Grayscale	Use this setting when file size is an issue or when you want a document or photograph to be scanned quickly.

8 Managing and maintaining the device

- [Information pages](#)
- [Managing supplies](#)
- [Cleaning the device](#)
- [Changing the print cartridge](#)

Information pages

Information pages reside within the device memory. These pages help to diagnose and solve problems with the device.

Page name	Description	Instructions
Demo page	The Demo page prints a sample page that allows you to inspect the device print quality.	<ol style="list-style-type: none">1. On the device control panel, press Menu/Enter.2. Use the < or the > button to select Reports, and then press Menu/Enter.3. Press Menu/Enter to select Demo page.
Menu structure	The Menu structure is a “map” of the control-panel menu commands.	<ol style="list-style-type: none">1. On the device control panel, press Menu/Enter.2. Use the < or the > button to select Reports, and then press Menu/Enter.3. Use the < or the > button to select Menu structure, and then press Menu/Enter.
Configuration report	<p>The Configuration report lists the current settings and properties of the device.</p> <ol style="list-style-type: none">1. Product Information. This section contains basic information about the device, such as the product name, the serial number, and memory information.2. Product Settings. This section lists information that is gathered during software installation.3. Paper Settings. This section lists information about the media type for each tray and about the type settings for all the media that the device supports.4. Copy Settings. This section lists the device default copy settings.5. Counters. This section shows the number of print, copy, and scan jobs performed by the device.6. Status Log. This section contains information about device errors.	<ol style="list-style-type: none">1. On the device control panel, press Menu/Enter.2. Use the < or the > button to select Reports, and then press Menu/Enter.3. Use the < or the > button to select Config report, and then press Menu/Enter.

Managing supplies

Checking supplies status

If the supplies levels are low, you can order supplies through your local HP dealer, by telephone, or online. See [Accessories and ordering information on page 101](#) for part numbers. See www.hp.com/go/ljsupplies to order online.

Storing supplies

Follow these guidelines for storing print cartridges:

- Do not remove the print cartridge from its package until you are ready to use it.
- △ **CAUTION:** To prevent damage, do not expose the print cartridge to light for more than a few minutes.
- See [Environmental specifications on page 112](#) for operating and storage temperature ranges.
- Store the supply in a horizontal position.
- Store the supply in a dark, dry location away from heat and magnetic sources.

Replacing and recycling supplies

To install a new HP print cartridge, follow the instructions that are included in the box that contains the new supply, or see the getting started guide.

To recycle supplies, place the used supply in the box in which the new supply arrived. Use the enclosed return label to send the used supply to HP for recycling. For complete information, see the recycling guide that is included with each new HP supply item. See [HP LaserJet printing supplies on page 118](#) for more information about HP's recycling program.

Redistribute toner

If faded or light areas appear on the printed page, you might be able to temporarily improve print quality by redistributing the toner.

1. Remove the print cartridge from the printer.
2. To redistribute the toner, gently rock the print cartridge from front to back.
- △ **CAUTION:** If toner gets on your clothing, wipe it off with a dry cloth and wash the clothing in cold water. *Hot water sets toner into the fabric.*
3. Reinsert the print cartridge into the printer, and close the print cartridge door. If the print is still light or unacceptable, install a new print cartridge.

HP policy on non-HP supplies

Hewlett-Packard Company cannot recommend the use of non-HP supplies, either new or remanufactured. Because they are not HP products, HP cannot influence their design or control their quality. Service or repairs required as a result of using a non-HP supply will *not* be covered under the warranty.

HP fraud hotline

Call the HP fraud hotline if the device indicates that the print cartridge is not an HP print cartridge and you think that it is genuine. HP will help determine if the product is genuine and take steps to resolve the problem.

Your print cartridge might not be a genuine HP one if you notice the following issues:

- You are experiencing a large number of problems with the print cartridge.
- The print cartridge does not look like it usually does (for example, the pull tab or the box is different).

In the United States, call toll-free: 1-877-219-3183.

Outside the United States, you can call collect. Dial the operator and ask to place a collect call to this telephone number: 1-770-263-4745. If you do not speak English, a representative at the HP fraud hotline who speaks your language will assist you. Or, if someone who speaks your language is not available, a language line interpreter will connect approximately one minute after the beginning of the call. The language line interpreter is a service that will translate between you and the representative for the HP fraud hotline.

Cleaning the device

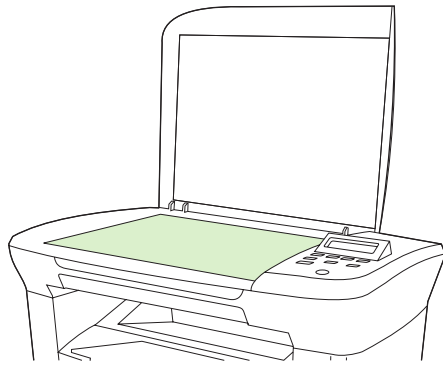
To clean the exterior

Use a soft, damp, lint-free cloth to wipe dust, smudges, and stains off of the exterior of the device.

To clean the scanner glass

Dirty glass, from fingerprints, smudges, hair, and so on, slows down performance and affects the accuracy of special features such as fit-to-page and copy.

1. Turn off the device, unplug the power cord from the electrical socket, and raise the lid.
2. Clean the glass by using a soft cloth or sponge that has been moistened with nonabrasive glass cleaner.



△ **CAUTION:** Do not use abrasives, acetone, benzene, ammonia, ethyl alcohol, or carbon tetrachloride on any part of the device; these can damage the device. Do not place liquids directly on the glass. They might seep under it and damage the device.

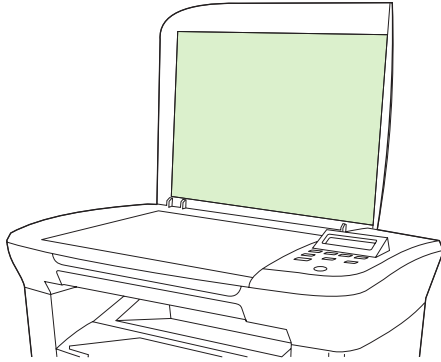
3. To prevent spotting, dry the glass by using a chamois or cellulose sponge.

To clean the lid backing

Minor debris can accumulate on the white document lid backing that is located underneath the scanner lid.

1. Turn off the device, unplug the power cord from the electrical socket, and raise the lid.

2. Clean the white document lid backing by using a soft cloth or sponge that has been moistened with a mild soap and warm water.



3. Wash the backing gently to loosen debris; do not scrub the backing.
4. Dry the backing by using a chamois or soft cloth.

△ **CAUTION:** Do not use paper-based wipes because they might scratch the backing.

5. If this does not clean the backing well enough, repeat the previous steps and use isopropyl alcohol to dampen the cloth or sponge, and then wipe the backing thoroughly with a damp cloth to remove any residual alcohol.

To clean the paper path

The device features a special cleaning mode to clean the paper path.

1. On the device control panel, press **Menu/Enter**.
2. Use the < or the > button to select **Service**, and then press **Menu/Enter**.
3. Use the < or the > button to select **Cleaning Mode**, and then press **Menu/Enter**.

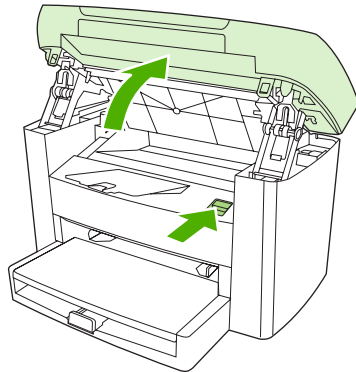
A page feeds through the device slowly. Discard the page when the process is completed.

4. Load plain letter or A4 paper when you are prompted.
5. Press **Menu/Enter** again to confirm and begin the cleaning process.

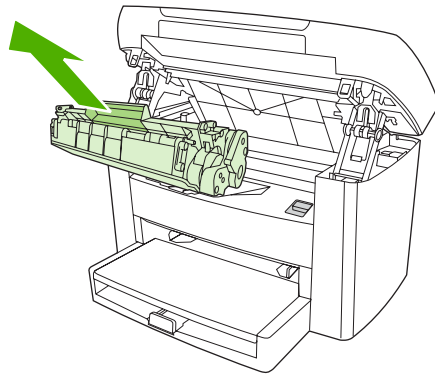
A page feeds through the device slowly. Discard the page when the process is completed.

Changing the print cartridge

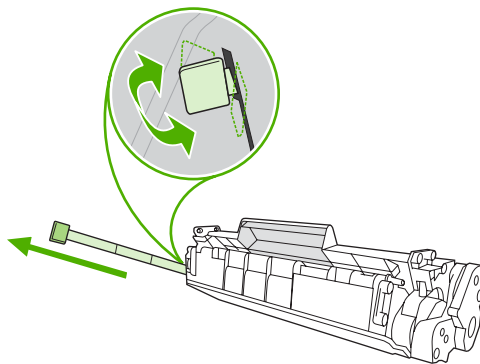
1. Open the print-cartridge door.



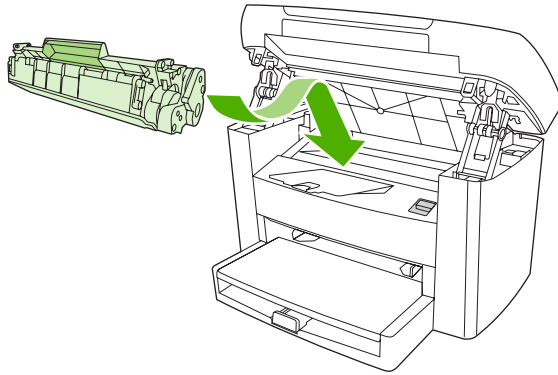
2. Grasp the handle on the print cartridge and then pull the cartridge straight out to remove it. See the recycling information inside the print cartridge box.



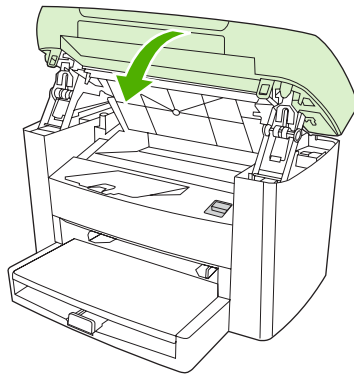
3. Remove the new print cartridge from its packaging, remove the cover from the print cartridge, and then pull the tab straight out to remove the sealing tape.



4. Insert the cartridge into the device until it is *firmly* in place.



5. Close the print-cartridge door.



△ **CAUTION:** If toner gets on your clothing, wipe it off with a dry cloth and wash the clothing in cold water. *Hot water sets toner into the fabric.*

9 Problem solving

- [Problem-solving checklist](#)
- [Clearing jams](#)
- [Control-panel messages](#)
- [Print problems](#)
- [Copy problems](#)
- [Scan problems](#)
- [Control-panel display problems](#)
- [Solving common Macintosh problems](#)
- [Problem-solving tools](#)

Problem-solving checklist

Follow these steps when trying to solve a problem with the device.

Step number	Verification step	Possible problems	Solutions
1	<p>Is the power on?</p> <p>When the device is connected to a grounded power source and is turned on, the control panel shows Initializing..., and the main motor rotates for approximately 10 seconds.</p>	<p>No power due to failed power source, cable, switch, or fuse.</p> <hr/> <p>Motor does not rotate.</p>	<p>1. Verify that the device is plugged in.</p> <p>2. Verify that the power cable is functional and that the power switch is on.</p> <p>3. Check the power source by plugging the device directly into the wall or into a different outlet.</p> <hr/> <p>1. Verify that the print cartridge is installed correctly. See Changing the print cartridge on page 69.</p> <p>2. Verify that the top cover is closed.</p>
2	<p>Does Ready appear in the device control panel?</p> <p>The control panel should function without error messages.</p>	<p>Control panel shows an error.</p>	<p>See Control-panel messages on page 80 for a list of common messages that will help you correct the error.</p> <p>If the error persists, contact HP Customer Care. See HP Customer Care on page 108 or the support flyer that came in the device box.</p>
3	<p>Do information pages print?</p> <p>Print a Configuration report. See Information pages on page 64.</p>	<p>An error message appears on the control-panel display.</p> <hr/> <p>Media does not move smoothly through the device paper path.</p> <hr/> <p>Poor print quality.</p>	<p>See Control-panel messages on page 80 for a list of common messages that will help you correct the error.</p> <hr/> <p>Make sure that media that meets HP specifications. See Media specifications on page 13</p> <p>Clean the paper path. See To clean the paper path on page 68.</p> <hr/> <p>See Print quality problems on page 83.</p> <p>If the error persists, contact HP Customer Care. See HP Customer Care on page 108 or the support flyer that came in the device box.</p>
4	<p>Does the device copy?</p> <p>Place the Configuration report on the flatbed scanner and make a copy.</p>	<p>Poor copy quality from the flatbed.</p> <hr/> <p>If the error persists, contact HP Customer Care. See HP Customer Care on page 108 or the support flyer that came in the device box.</p>	<p>1. Clean the flatbed glass. See To clean the scanner glass on page 67.</p> <p>2. If, after performing the maintenance, the problem persists, see Copy problems on page 91.</p>

Step number	Verification step	Possible problems	Solutions
5	<p>Does the device print from the computer?</p> <p>Connect the USB cable to the device and the computer. Use a word-processing program to send a print job to the device.</p>	Software is not installed correctly or an error occurred during software installation.	Uninstall and then reinstall the device software. Verify that you are using the correct installation procedure and the correct port setting.
		The cable is not connected correctly.	Reconnect the cable.
		An incorrect driver is selected.	Select the proper driver.
		Other devices are connected to the USB port.	Disconnect the other devices and try again to print.
		There is a port driver problem in Microsoft Windows.	Uninstall and then reinstall the device software. Verify that you are using the correct installation procedure and the correct port setting.
If the error persists, contact HP Customer Care. See HP Customer Care on page 108 or the support flyer that came in the device box.			
6	<p>Does the device scan to the computer?</p> <p>Initiate a scan from the basic desktop software at your computer.</p>	The cable is not connected correctly.	Reconnect the cable.
		Software is not installed correctly or an error occurred during software installation.	Uninstall and then reinstall the device software. Verify that you are using the correct installation procedure and the correct port setting.
		If the error persists, turn off the device and then turn on the device.	
If the error still persists, contact HP Customer Care. See HP Customer Care on page 108 or the support flyer that came in the device box.			

Clearing jams

This section contains instructions for clearing jams from the device.

Causes of jams

Occasionally, paper or other print media can become jammed during a print job. Some causes include the following events:

- The input trays are loaded improperly or overfilled, or the media guides are not set properly.
- Media is added to or removed from an input tray during a print job or an input tray is removed from the device during a print job.
- The cartridge door is opened during a print job.
- Too many sheets have accumulated in the output area, or sheets are blocking the output area.
- The print media that is being used does not meet HP specifications. See [Media specifications on page 13](#).
- The media is damaged or has foreign objects attached to it, such as staples or paper clips.
- The environment in which the print media was stored is too humid or too dry. See [Printing and storage environment on page 22](#).

Tips to avoid jams

- Verify that the input tray is not overfilled. The input tray capacity varies depending on the type of print media that you are using.
- Verify that the media guides are properly adjusted.
- Check that the input tray is securely in place.
- Do not add print media into the input tray while the device is printing.
- Use only HP-recommended media types and sizes. See [Media specifications on page 13](#) for more information about print media types.
- Do not let print media stack up in the output bin. The print media type and the amount of toner used affect the output bin capacity.
- Check the power connection. Make sure that the power cord is firmly connected to both the device and the power supply box. Plug the power cord into a grounded power outlet.

Where to look for jams

Jams can occur in these locations:

- Input trays
- Output area
- Print-cartridge area

Find and remove the jam by using the instructions on the following pages. If the location of the jam is not obvious, first look inside the device.

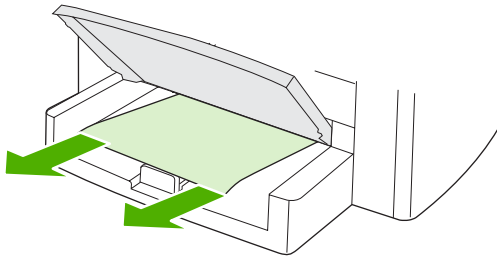
Loose toner might remain in the device after a jam. This problem typically resolves itself after a few sheets have been printed.

Input trays

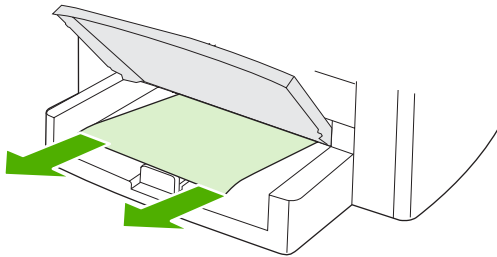
- △ **CAUTION:** Do not use sharp objects, such as tweezers or needle-nose pliers, to remove jams. Damage caused by sharp objects will not be covered by the warranty.

When removing jammed media, pull the jammed media straight away from the device. Pulling jammed media out of the device at an angle can damage the device.

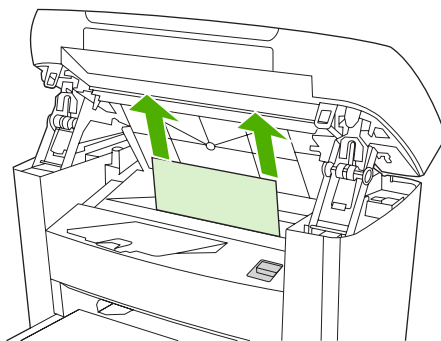
1. Pull any visible jammed media out of the priority input tray.



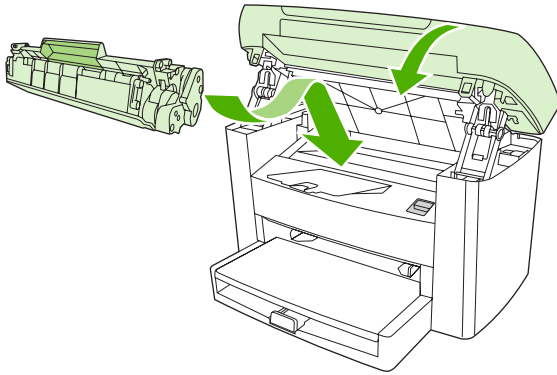
2. Open tray 1 and pull any visible jammed media out of the device.



3. If no media is visible, open the print-cartridge door, remove the print cartridge, and then carefully pull the media up and out of the device.



4. Replace the print cartridge and close the print-cartridge door.

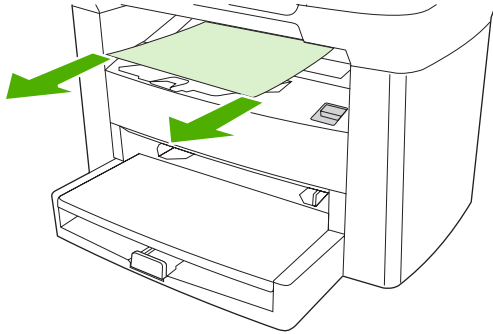


5. Close tray 1.

Output bin

-
- △ **CAUTION:** Do not use sharp objects, such as tweezers or needle-nose pliers, to remove jams. Damage caused by sharp objects will not be covered by the warranty.
-

With both hands, grasp the side of the media that is most visible (this includes the middle), and carefully pull it free from the device.

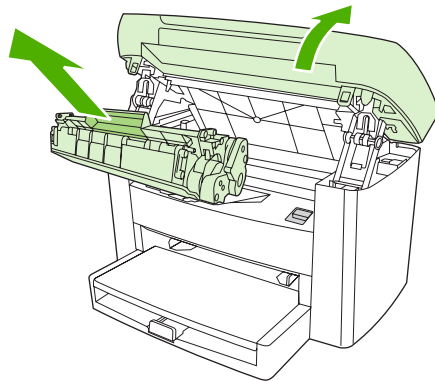


Print-cartridge area

-
- △ **CAUTION:** Do not use sharp objects, such as tweezers or needle-nose pliers, to remove jams. Damage caused by sharp objects will not be covered by the warranty.
-

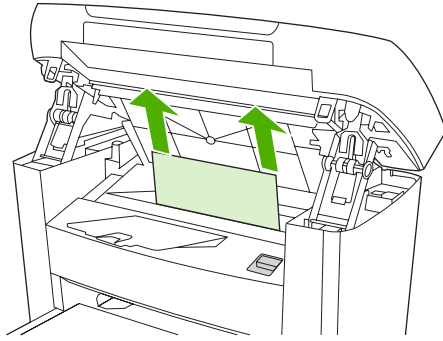
When removing jammed media, pull the jammed media straight away from the device. Pulling jammed media out of the device at an angle can damage the device.

1. Open the print-cartridge door, and remove the print cartridge.

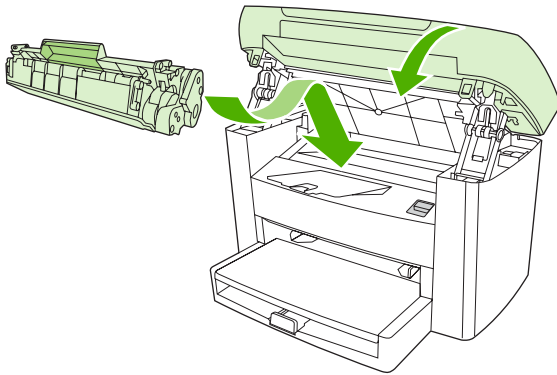


-
- △ **CAUTION:** To prevent damage to the print cartridge, minimize its exposure to direct light.
-

2. With both hands, grasp the side of the media that is most visible (this includes the middle), and carefully pull it free from the device.



3. Replace the print cartridge and close the print-cartridge door.



Control-panel messages

The majority of the control-panel messages are intended to guide the user through typical operation. The control-panel messages indicate the status of the current operation, and include a page count on the second line of the display, if appropriate. When the device is receiving print data or scanning commands, control-panel messages indicate this status. In addition, alert messages, warning messages, and critical error messages indicate situations that might require some action.

Alert and warning messages

Alert and warning messages appear temporarily and might require the user to acknowledge the message by pressing **Menu/Enter** to resume or by pressing **Cancel** to cancel the job. With certain warnings, the job might not complete or the print quality might be affected. If the alert or warning message is related to printing and the auto-continue feature is on, the device will attempt to resume the printing job after the warning has appeared for 10 seconds without acknowledgement.

Alert and warning message tables

Control panel message	Description	Recommended action
Device error Press [OK]	The device experienced an internal communication error.	This is a warning message only. Job output might be affected.
Jam in print paper path alternates with Open door and clear jam	The device has detected a jam in the paper path.	Clear the jam from the area indicated on the device control panel, and then follow the control panel instructions. See Clearing jams on page 74 .
Page too complex Press [OK]	The device could not print the current page because of its complexity.	Press Menu/Enter to clear the message. Allow the device to finish the job, or press Cancel to cancel the job.
Printer jam clear paper path	The device has detected a jam in the input trays.	Clear the jam from the area indicated on the device control panel, and then follow the control panel instructions. See Clearing jams on page 74 .
Settings cleared	The device has cleared job settings.	Re-enter any appropriate job settings.

Critical error messages

Critical error messages can indicate some kind of failure. Restarting the device might fix the problem. If a critical error persists, the device might require service.

Critical error message tables


Control panel message	Description	Recommended action
50.1 Fuser Error Turn off then on	The device has experienced an internal hardware error.	<ol style="list-style-type: none">1. Turn off the power by using the power switch, and then wait at least 30 seconds.2. If a surge protector is being used, remove it. Plug the device directly into the wall socket.3. Turn on the power and wait for the device to initialize. <p>If the error persists, contact HP Customer Care. See HP Customer Care on page 108 or the support flyer that came in the device box.</p>
50.2 Fuser Error Turn off then on	The device has experienced an internal hardware error.	<p>Turn off the power by using the power switch, wait at least 30 seconds, and then turn on the power and wait for the device to initialize.</p> <p>If a surge protector is being used, remove it. Plug the device directly into the wall socket. Use the power switch to turn the device on.</p> <p>If the error persists, contact HP Customer Care. See HP Customer Care on page 108 or the support flyer that came in the device box.</p>
50.3 Fuser Error Turn off then on	The device has experienced an internal hardware error.	<p>Turn off the power by using the power switch, wait at least 30 seconds, and then turn on the power and wait for the device to initialize.</p> <p>If a surge protector is being used, remove it. Plug the device directly into the wall socket. Use the power switch to turn the device on.</p> <p>If the error persists, contact HP Customer Care. See HP Customer Care on page 108 or the support flyer that came in the device box.</p>
50.8 Fuser Error Turn off then on	The device has experienced an internal hardware error.	<p>Turn off the power by using the power switch, wait at least 30 seconds, and then turn on the power and wait for the device to initialize.</p> <p>If a surge protector is being used, remove it. Plug the device directly into the wall socket. Use the power switch to turn the device on.</p> <p>If the error persists, contact HP Customer Care. See HP Customer Care on page 108 or the support flyer that came in the device box.</p>

Control panel message	Description	Recommended action
50.9 Fuser Error Turn off then on	The device has experienced an internal hardware error.	<p>Turn off the power by using the power switch, wait at least 30 seconds, and then turn on the power and wait for the device to initialize.</p> <p>If a surge protector is being used, remove it. Plug the device directly into the wall socket. Use the power switch to turn the device on.</p> <p>If the error persists, contact HP Customer Care. See HP Customer Care on page 108 or the support flyer that came in the device box.</p>
52 Scanner Error Turn off then on	The device has experienced a scanner error.	<p>Turn off the power by using the power switch, wait at least 30 seconds, and then turn on the power and wait for the device to initialize.</p> <p>If a surge protector is being used, remove it. Plug the device directly into the wall socket. Use the power switch to turn the device on.</p> <p>If the error persists, contact HP Customer Care. See HP Customer Care on page 108 or the support flyer that came in the device box.</p>
54.1C Error Turn off then on	The device has experienced an internal hardware error.	<p>Turn off the power by using the power switch, wait at least 30 seconds, and then turn on the power and wait for the device to initialize.</p> <p>If a surge protector is being used, remove it. Plug the device directly into the wall socket. Use the power switch to turn the device on.</p> <p>If the error persists, contact HP Customer Care. See HP Customer Care on page 108 or the support flyer that came in the device box.</p>
Engine comm. Error	The device has experienced an internal hardware error.	<ol style="list-style-type: none"> 1. Turn off the power by using the power switch, and then wait at least 30 seconds. 2. If a surge protector is being used, remove it. Plug the device directly into the wall socket. 3. Turn on the power and wait for the device to initialize. <p>If the error persists, contact HP Customer Care. See HP Customer Care on page 108 or the support flyer that came in the device box.</p>

Print problems

Print quality problems

Occasionally, you might encounter problems with print quality. The information in the following sections helps you identify and resolve these issues.

 **NOTE:** If you are having copy problems, see [Copy problems on page 91](#).

Improving print quality


Use the print-quality settings to prevent print-quality problems.

Understanding print-quality settings

Print-quality settings affect how light or dark the print is on the page and the style in which the graphics are printed. You can also use the print-quality settings to optimize the print quality for a specific media type.

You can change the settings in the device properties to accommodate the types of jobs that you are printing. The following settings are available, depending on the printer driver that you are using:

- **600 dpi**
- **FastRes 1200:** This setting produces the same resolution as the default setting, but you can change the scale patterns.

 **NOTE:** Changing the resolution can change the formatting of your text.

To temporarily change print-quality settings

To change the print-quality settings only for the current software program, open the properties through the **Print Setup** menu in the program that you are using to print.

To change print-quality settings for all future jobs

 **NOTE:** For Macintosh instructions, see [Changing printer-driver settings on page 9](#) for more information.

For Windows 2000:

1. In the Windows system tray, click **Start**, select **Settings**, and then click **Printers**.
2. Right-click the device icon.
3. Click **Properties** (in Windows 2000, you can also click **Printing Preferences**).
4. Change the settings, and click **OK**.

For Windows XP:

1. In the Windows system tray, click **Start**, and then click **Printers and Faxes**.
2. Right-click the device icon.
3. Click **Properties**, or click **Printing Preferences**.
4. Change the settings, and click **OK**.

Identifying and correcting print defects

Use the checklist and print-quality issues charts in this section to solve print-quality problems.

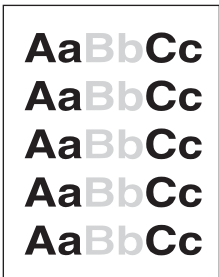
Print-quality checklist

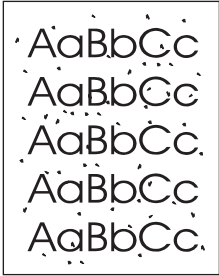
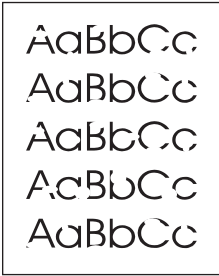
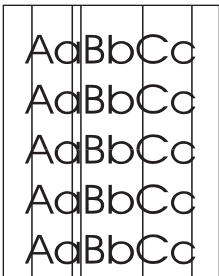
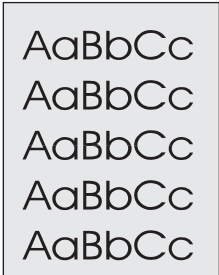
General print-quality problems can be solved by using the following checklist:


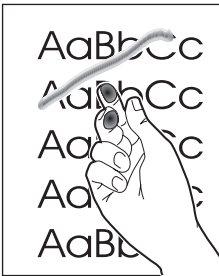
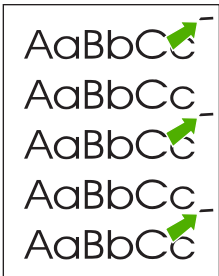
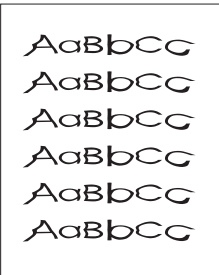
1. Make sure that the paper or print media that you are using meets HP specifications. See [Media specifications on page 13](#). Generally, smoother paper provides better results.
2. If you are using a special print media such as labels, transparencies, glossy, or letterhead, ensure that you have printed by type. See [Controlling print jobs on page 26](#).
3. Print a Configuration report at the device control panel. See [Information pages on page 64](#).
 - If the page did not print correctly, the problem is with the hardware. Contact HP Customer Care. See [HP Customer Care on page 108](#) or the flyer that came in the device box.
4. Print a Demo page from the device control panel. If the page prints, the problem is with the printer driver.
 - Use the Add Printer Wizard in the **Printers** (or **Printers and Faxes** in Windows XP) dialog box to install the correct driver.
5. Try printing from a different program. If the page prints correctly, the problem is with the program from which you were printing.
6. Restart the computer and the device and try printing again. If the problem is not resolved, see [General print-quality issues on page 84](#).

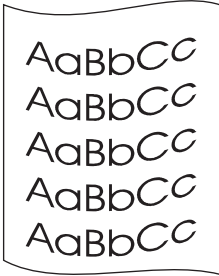
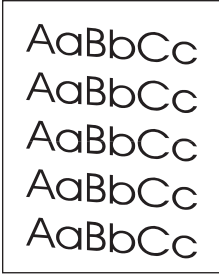
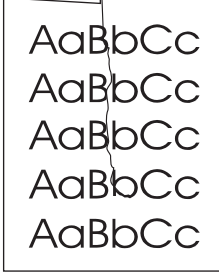
General print-quality issues

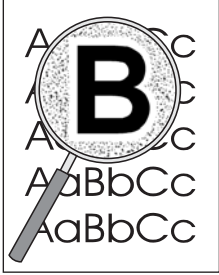

The following examples depict letter-size paper that has passed through the device short-edge-first. These examples illustrate problems that would affect all of the pages that you print. The topics that follow list the typical cause and solution for each of these examples.

Problem	Cause	Solution
	The media might not meet HP specifications.	Use media that meets HP specifications. See Media specifications on page 13 .
	The print cartridge might be low.	Replace the print cartridge. See Changing the print cartridge on page 69 . If the print cartridge is not low or empty, inspect the toner roller to see if the roller is damaged. If it is, replace the print cartridge.
	If the whole page is light, the print density adjustment is too light or EconoMode might be turned on.	Adjust the print density, and disable EconoMode in the device Properties.

Problem	Cause	Solution
<p>Toner specks appear.</p> 	<p>The media might not meet HP specifications.</p> <p>The paper path might need cleaning.</p>	<p>Use media that meets HP specifications. See Media specifications on page 13.</p> <p>Clean the paper path. See To clean the paper path on page 68.</p>
<p>Dropouts appear.</p> 	<p>A single sheet of print media might be defective.</p> <p>The moisture content of the paper is uneven or the paper has moist spots on its surface.</p> <p>The paper lot is flawed. The manufacturing processes can cause some areas to reject toner.</p> <p>The print cartridge might be defective.</p>	<p>Try reprinting the job.</p> <p>Try different paper, such as high-quality paper that is intended for laser printers. See Media specifications on page 13.</p> <p>Try different paper, such as high-quality paper that is intended for laser printers. See Media specifications on page 13.</p> <p>Replace the print cartridge. See Changing the print cartridge on page 69.</p> <p>If the error persists, contact HP Customer Care. See HP Customer Care on page 108 or the support flyer that came in the device box.</p>
<p>Vertical streaks or bands appear on the page.</p> 	<p>The print cartridge might be low or defective.</p>	<p>Replace the print cartridge. See Changing the print cartridge on page 69.</p>
<p>The amount of background toner shading becomes unacceptable.</p> 	<p>The media might not meet HP specifications.</p> <p>The priority input tray might be installed incorrectly.</p> <p>Very dry (low humidity) conditions can increase the amount of background shading.</p> <p>The print cartridge might be low.</p>	<p>Use a different paper with a lighter basis weight. See Media specifications on page 13.</p> <p>Make sure that the priority input tray is in place.</p> <p>Check the device environment.</p> <p>Replace the print cartridge. See Changing the print cartridge on page 69.</p>

Problem	Cause	Solution
<p>Toner smears appear on the media.</p> 	<p>The media might not meet HP specifications.</p> <p>If toner smears appear on the leading edge of the paper, the media guides are dirty, or debris has accumulated in the print path.</p> <p>The print cartridge might be low.</p> <p>The fuser temperature might be too low.</p>	<p>Use media that meets HP specifications. See Media specifications on page 13.</p> <p>Clean the media guides and the paper path. See To clean the paper path on page 68.</p> <p>Replace the print cartridge. See Changing the print cartridge on page 69.</p> <p>In the printer driver, make sure the appropriate media type is selected.</p>
<p>The toner smears easily when touched.</p> 	<p>The device is not set to print on the type of media on which you want to print.</p> <p>The media might not meet HP specifications.</p> <p>The paper path might need cleaning.</p> <p>The power source might be defective.</p> <p>The print cartridge might be low.</p>	<p>In the printer driver, select the Paper tab and set Type is to match the type of media on which you are printing. Print speed might be slower if you are using heavy paper.</p> <p>Use media that meets HP specifications. See Media specifications on page 13.</p> <p>Clean the device. See Cleaning the device on page 67.</p> <p>Plug the device directly into an AC outlet instead of into a power strip.</p> <p>Replace the print cartridge. See Changing the print cartridge on page 69.</p>
<p>Marks repeatedly appear at even intervals on the page.</p> 	<p>The device is not set to print on the type of media on which you want to print.</p> <p>Internal parts might have toner on them.</p> <p>The paper path might need cleaning.</p> <p>The print cartridge might be damaged.</p>	<p>In the printer driver, make sure that the appropriate media type is selected. Print speed might be slower if you are using heavy paper.</p> <p>The problem typically corrects itself after a few more pages.</p> <p>Clean the device. See Cleaning the device on page 67.</p> <p>If a repetitive mark occurs at the same spot on the page, install a new HP print cartridge. See Changing the print cartridge on page 69.</p>
<p>The printed page contains misformed characters.</p> 	<p>The media might not meet HP specifications.</p> <p>If characters are incorrectly formed so that they produce a wavy effect, the laser scanner might need service.</p>	<p>Use a different paper, such as high-quality paper that is intended for laser printers. See Media specifications on page 13.</p> <p>Verify that the problem also occurs on the Configuration report. If so, contact HP Customer Care. See HP Customer Care on page 108 or the support flyer that came in the device box.</p>

Problem	Cause	Solution
<p>The printed page is curled or wavy.</p> 	The device is not set to print on the type of media on which you want to print.	In the printer driver, make sure the appropriate media type is selected. If the problem persists, select a media type that uses a lower fuser temperature, such as transparencies or light media.
	The media might have been in the input tray too long.	Turn over the stack of media in the tray. Also, try rotating the media 180° in the input tray.
	The paper path is curling the media.	Use the Less paper curl setting. See Reducing paper curl on page 100 .
	The media might not meet HP specifications.	Use a different paper, such as high-quality paper that is intended for laser printers. See Media specifications on page 13 .
	Both high temperature and humidity can cause paper curl.	Check the device environment.
<p>Text or graphics are skewed on the printed page.</p> 	The media might be loaded incorrectly or the input tray might be too full.	Verify that the media is loaded correctly and that the media guides are not too tight or too loose against the stack. See Loading media on page 24 .
	The media might not meet HP specifications.	Use a different paper, such as high-quality paper that is intended for laser printers. See Media specifications on page 13 .
<p>The printed page contains wrinkles or creases.</p> 	The media might be loaded incorrectly or the input tray might be too full.	Turn over the stack of paper in the input tray, or try rotating the paper 180° in the input tray. Verify that the media is loaded correctly and that the media guides are not too tight or too loose against the stack. See Loading media on page 24 .
	The media might not meet HP specifications.	Use a different paper, such as high-quality paper that is intended for laser printers. See Media specifications on page 13 .
	The paper path is curling the media.	Use the Less paper curl setting. See Reducing paper curl on page 100 .
	Air pockets inside envelopes can cause them to wrinkle.	Remove the envelope, flatten it, and try printing again.

Problem	Cause	Solution
<p>Toner appears around the printed characters.</p> 	<p>The media might be loaded incorrectly.</p> <p>If large amounts of toner have scattered around the characters, the paper might have high resistivity.</p>	<p>Turn over the stack of paper in the tray.</p> <p>Use a different paper, such as high-quality paper that is intended for laser printers. See Media specifications on page 13.</p>
<p>An image that appears at the top of the page (in solid black) repeats farther down the page (in a gray field).</p> 	<p>Software settings might affect image printing.</p> <p>The order of images printed might affect printing.</p> <p>A power surge might have affected the device.</p>	<p>In your software program, change the tone (darkness) of the field in which the repeated image appears.</p> <p>In your software program, rotate the whole page 180° to print the lighter image first.</p> <p>Change the order in which the images are printed. For example, have the lighter image at the top of the page, and the darker image farther down the page.</p> <p>If the defect occurs later in a print job, turn the device off for 10 minutes, and then turn on the device to restart the print job.</p>

Media-handling problems

Use the information in this section when the device experiences media-handling problems.

Print-media guidelines

- For best results, make sure that the paper is of good quality, and free of cuts, nicks, tears, spots, loose particles, dust, wrinkles, voids, staples, and curled or bent edges.
- For best-quality printing, use a smooth type of paper. Generally, smoother media produces better results. For more information, see [Media specifications on page 13](#).
- If you are unsure what type of paper you are loading (such as bond or recycled), check the label on the package of paper.
- Do not use media that is designed for Inkjet printers only. Use media that is designed for LaserJet printers.
- Do not use letterhead paper that is printed with low-temperature inks, such as those used in some types of thermography.

- Do not use raised or embossed letterhead.
- The device uses heat and pressure to fuse toner to the paper. Make sure that any colored paper or preprinted forms use inks that are compatible with this fusing temperature (200°C or 392°F for 0.1 second).

△ **CAUTION:** Failure to follow these guidelines could cause jams or damage to the device.

Solving print-media problems

The following problems with media cause print-quality deviations, jamming, or even damage to the device.

Problem	Cause	Solution
Poor print quality or toner adhesion	The paper is too moist, too rough, too heavy or too smooth, or it is embossed or from a faulty paper lot.	Try another kind of paper, between 100 and 250 Sheffield, with 4 to 6% moisture content.
Dropouts, jamming, or curl	The paper has been stored incorrectly.	Store paper flat in its moisture-proof wrapping.
	The paper has variability from one side to the other.	Turn the paper over.
Excessive curl	The paper is too moist, has the wrong grain direction, or is of short-grain construction	Use long-grain paper, or use the Less paper curl setting. See Reducing paper curl on page 100 .
	The paper varies from side-to-side.	Turn the paper over.
Jamming, damage to device	The paper has cutouts or perforations.	Use paper that is free of cutouts or perforations.
Problems with feeding	The paper has ragged edges.	Use high-quality paper that is made for laser printers.
	The paper varies from side-to-side.	Turn the paper over.
	The paper is too moist, too rough, too heavy or too smooth, has the wrong grain direction, or is of short-grain construction or it is embossed or from a faulty paper lot.	Try another kind of paper, between 100 and 250 Sheffield, 4 to 6% moisture content, or use long-grain paper.
Print is skewed (crooked).	The media guides might be incorrectly adjusted.	Remove all media from the input tray, straighten the stack, and then load the media in the input tray again. Adjust the media guides to the width and length of the media that you are using and try printing again.
More than one sheet feeds at one time.	The media tray might be overloaded.	Remove some of the media from the tray. See Loading media on page 24 .
	The media might be wrinkled, folded, or damaged.	Verify that the media is not wrinkled, folded, or damaged. Try printing on media from a new or different package.

Problem	Cause	Solution
The device does not pull media from the media input tray.	The device might be in manual feed mode.	<ul style="list-style-type: none"> ● If Manual feed appears on the device control-panel display, press Menu/Enter to print the job. ● Verify that the device is not in manual feed mode and print your job again.
	The pickup roller might be dirty or damaged.	Contact HP Customer Care. See HP Customer Care on page 108 or the support flyer that came in the device box.
	The paper-length adjustment control in tray 1 is set at a length that is greater than the media size.	Adjust the paper-length adjustment control to the correct length.

Performance problems

Try the tips in this section if pages exit the device, but have nothing printed on them, or when the device does not print any pages.

Problem	Cause	Solution
Pages print but are totally blank.	The sealing tape might still be in the print cartridge.	Verify that the sealing tape has been completely removed from the print cartridge.
	The document might contain blank pages.	Check the document that you are printing to see if content appears on all of the pages.
	The device might be malfunctioning.	To check the device, print a Configuration report. See Information pages on page 64 .
Pages print slowly.	Certain media types can slow the print job.	Print on a different type of media.
Pages did not print.	The device might not be pulling media correctly.	See Media-handling problems on page 88 .
	The media is jamming in the device.	Clear the jam. See Clearing jams on page 74 .
	The USB cable might be defective or incorrectly connected.	<ul style="list-style-type: none"> ● Disconnect the USB cable at both ends and reconnect it. ● Try printing a job that has printed in the past. ● Try using a different USB cable.
	Other devices are running on your computer.	The device might not share a USB port. If you have an external hard drive or network switchbox that is connected to the same port as the device, the other device might be interfering. To connect and use the device, you must disconnect the other device or you must use two USB ports on the computer.

Copy problems

Preventing problems

The following are a few simple steps you can take to improve copy quality:

- Use quality originals.
- Load the media correctly. If the media is loaded incorrectly, it might skew, causing unclear images and problems with the OCR program. See [Loading documents to copy or scan on page 24](#) for instructions.


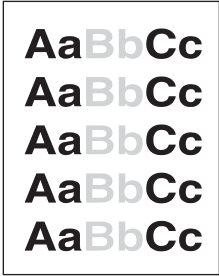
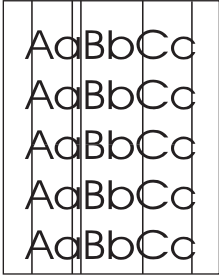
 **NOTE:** Verify that the media meets HP specifications. If the media meets HP specifications, recurring feed problems indicate the pickup roller or separation pad is worn. Contact HP Customer Care. See [HP Customer Care on page 108](#) or the flyer that came in the device box.

Image problems

Problem	Cause	Solution
Images are missing or faded.	The print-cartridge toner-level might be low.	Replace the print cartridge. See Changing the print cartridge on page 69 .
	The original might be of poor quality.	If your original is too light or damaged, the copy might not be able to compensate, even if you adjust the contrast. If possible, find an original document in better condition.
	The original might have a colored background.	Colored backgrounds might cause images in the foreground to blend into the background, or the background might appear in a different shade. If possible, use an original document without a colored background.
Vertical white or faded stripes appear on the copy.	The media might not meet HP specifications.	Use media that meets HP specifications. See Media specifications on page 13 .
	The print-cartridge toner-level might be low.	Replace the print cartridge. See Changing the print cartridge on page 69 .
		
Unwanted lines appear on the copy.	The photosensitive drum inside the print cartridge might have been scratched.	Install a new HP print cartridge. See Changing the print cartridge on page 69 .

Problem	Cause	Solution
		
Black dots or streaks appear on the copy.	Ink, glue, correction fluid, or an unwanted substance might be on the flatbed scanner.	Clean the device. See Cleaning the device on page 67 .
Copies are too light or dark.	The printer driver or device settings may be incorrect.	Verify that the quality settings are correct. See Adjusting the copy quality on page 42 .
Text is unclear.	The printer driver or device settings may be incorrect.	Verify that the quality settings are correct. See Adjusting the copy quality on page 42 .

Media-handling problems

Problem	Cause	Solution
Poor print quality or toner adhesion	The paper is too moist, too rough, too heavy or too smooth, or it is embossed or from a faulty paper lot.	Try another kind of paper, between 100 and 250 Sheffield, 4 to 6% moisture content.
Dropouts, jamming, or curl	The paper has been stored incorrectly.	Store paper flat in its moisture-proof wrapping.
	The paper has variability from one side to the other.	Turn the paper over.
Excessive curl	The paper is too moist, has the wrong grain direction, or is of short-grain construction.	Use long-grain paper, or use the Less paper curl setting. See Reducing paper curl on page 100 .
	The paper varies from side-to-side.	Turn the paper over.
Jamming, damage to device	The paper has cutouts or perforations.	Use paper that is free of cutouts or perforations.
Problems with feeding	The paper has ragged edges.	Use high-quality paper that is made for laser printers.
	The paper varies from side-to-side.	Turn the paper over.
	The paper is too moist, too rough, too heavy or too smooth, has the wrong grain direction, or is of short-grain construction or it is embossed or from a faulty paper lot.	Try another kind of paper, between 100 and 250 Sheffield, 4 to 6% moisture content, or use long-grain paper.
Print is skewed (crooked).	The media guides might be incorrectly adjusted.	Remove all media from the input tray, straighten the stack, and then load the media in the input tray again. Adjust the media guides to the width and length of the media that you are using and try printing again.

Problem	Cause	Solution
More than one sheet feeds at one time.	The media tray might be overloaded.	Remove some of the media from the tray. See Loading media on page 24 .
	The media might be wrinkled, folded, or damaged.	Verify that the media is not wrinkled, folded, or damaged. Try printing on media from a new or different package.
The device does not pull media from the media input tray.	The device might be in manual feed mode.	<ul style="list-style-type: none"> ● If Manual feed appears on the device control-panel display, press Menu/Enter to print the job. ● Verify that the device is not in manual feed mode and print your job again.
	The pickup roller might be dirty or damaged.	Contact HP Customer Care. See HP Customer Care on page 108 or the support flyer that came in the device box.
	The paper-length adjustment control in tray 1 is set at a length that is greater than the media size.	Adjust the paper-length adjustment control to the correct length.

Performance problems

Problem	Cause	Solution
No copy came out.	The input tray might be empty.	Load media in the device. See Loading media on page 24 for more information.
	The original might have been loaded incorrectly.	On the flatbed scanner, place the original document face-down with the upper-left corner of the document at the lower-right corner of the glass.
Copies are blank.	The sealing tape might not have been removed from the print cartridge.	Remove the print cartridge from the device, pull out the sealing tape, and reinstall the print cartridge.
	The original might have been loaded incorrectly.	On the flatbed scanner, make sure that the original document is placed face-down with the upper-left corner of the document at the lower-right corner of the glass.
	The media might not meet HP specifications.	Use media that meets HP specifications. See Media specifications on page 13 .
	The print-cartridge toner-level might be low.	Replace the print cartridge. See Changing the print cartridge on page 69 .
Copies are reduced in size.	The device settings might be set to reduce the scanned image.	Verify that the reduction/enlargement settings are correct at the device control panel.

Scan problems

Solving scanned-image problems

Problem	Cause	Solution
The scanned image is of poor quality.	The original might be a second-generation photo or picture.	<ul style="list-style-type: none">To eliminate the patterns, try reducing the size of the image after scanning.Print the scanned image to see if the quality is better.Verify that your resolution and color settings are correct for the type of scan job that you are performing. See Scanner resolution and color on page 61.
	The image that appears on the screen might not be an accurate representation of the quality of the scan.	<ul style="list-style-type: none">Try adjusting your computer monitor settings to use more colors (or levels of gray). Typically, you make this adjustment by opening Display in Windows Control Panel.Try adjusting the resolution and color settings in the scanner software. See Scanner resolution and color on page 61.
	The original might have been loaded incorrectly.	Make sure that you have loaded the original correctly on the flatbed scanner. See Loading documents to copy or scan on page 24 .
	The scanner might be dirty.	Clean the scanner. See To clean the scanner glass on page 67 .
	The graphics settings might not be suitable for the type of scan job that you are performing.	Try changing the graphics settings. See Scanner resolution and color on page 61 .
Part of the image did not scan.	The original might have been loaded incorrectly.	Make sure that the original is placed correctly on the flatbed scanner.
	A colored background might be causing images in the foreground to blend into the background.	Try adjusting the settings before you scan the original or enhancing the image after you scan the original. See Scanner resolution and color on page 61 .
	The original is too small.	The minimum size that the flatbed scanner supports is 25 x 25 mm (1 x 1 inch).
	The media size is incorrect.	In Scan settings, make sure that the input media size is large enough for the document that you are scanning. See Scanner resolution and color on page 61 .
The scan takes too long	The resolution or color level is set too high.	Change the resolution and color level settings to the correct settings for your job. See Scanner resolution and color on page 61 .
	The software is set to scan in color.	The system default is color, which takes longer to scan even when scanning a monochrome original. If you acquire an image through TWAIN or WIA, you can change the settings so that the original scans in grayscale or black-and-white. See the device software Help for details.
	A print job or copy job was sent before you tried to scan.	If someone sent a print job or copy job before you tried to scan, the scan will start if the scanner is not busy. However, because the device and scanner share memory, the scan might be slower.

Scan-quality problems

Preventing problems

The following are a few simple steps you can take to improve scan quality.

- Use high-quality originals.
- Load the media correctly. If the media is loaded incorrectly, it might skew, which causes unclear images. See [Loading media on page 24](#) for instructions.
- Adjust the software settings according to how you plan to use the scanned page. See [Scanner resolution and color on page 61](#) for more information.

Solving scan-quality problems

Problem	Cause	Solution
Blank pages	The original might have been loaded upside down.	On the flatbed scanner, place the original document face-down with the upper-left corner of the document at the lower-right corner of the glass.
Too light or dark	The resolution and color levels may be set incorrectly.	Verify that you have the correct resolution and color settings. See Scanner resolution and color on page 61 .
Unwanted lines	Ink, glue, correction fluid, or an unwanted substance might be on the glass.	Clean the flatbed scanner surface. See To clean the scanner glass on page 67 .
Black dots or streaks	Ink, glue, correction fluid, or an unwanted substance might be on the glass.	Clean the flatbed scanner surface. See To clean the scanner glass on page 67 .
Unclear text	The resolution and color levels may be set incorrectly.	Verify that you have the correct resolution and color settings. See Scanner resolution and color on page 61 .

Control-panel display problems

- △ **CAUTION:** Static electricity can cause unexpected black lines, dots, or characters to appear on the device control-panel display. Do not touch the device control-panel display if there is a chance that you have collected a static electric charge (for example, by walking on carpet in a low-humidity environment).

Unexpected lines, dots, or characters might appear on the device control-panel display, or the display might become blank if the device is exposed to an electric or magnetic field. To resolve this problem, perform the following procedure:

1. Turn the device off.
2. Remove the device from the electric or magnetic field.
3. Turn the device on again.

Solving common Macintosh problems

Problems with Mac OS X V10.3 and Mac OS X V10.4

The printer driver is not listed in Print Center.

Cause	Solution
The device software might not have been installed or was installed incorrectly.	Reinstall the software. See the getting started guide for instructions.

The device name does not appear in the printer list box in the print center.

Cause	Solution
The device might not be ready.	Make sure that the cables are connected correctly, the device is on, and the ready light is on. If you are connecting through a USB hub, try connecting directly to the computer or use a different port.
The wrong device name is being used.	Print a Configuration report. See Information pages on page 64 . Verify that the name on the Configuration report matches the device name in the Print Center.
The interface cable might be defective or of poor quality.	Replace the interface cable. Make sure to use a high-quality cable.

A print job was not sent to the printer that you wanted.

Cause	Solution
The print queue might be stopped.	Restart the print queue. Open print monitor and select Start Jobs .

An encapsulated PostScript (EPS) file does not print with the correct fonts.

Cause	Solution
This problem occurs with some programs.	<ul style="list-style-type: none">Try downloading the fonts that are contained in the EPS file to the device before printing.Send the file in ASCII format instead of binary encoding.

You are unable to print from a third-party USB card.

Cause	Solution
This error occurs when the software for USB printers is not installed.	When adding a third-party USB card, you might need the Apple USB Adapter Card Support software. The most current version of this software is available from the Apple Web site.

The device does not appear in the Macintosh Print Center after the driver is selected.

Cause	Solution
<p>This problem is caused by either a software or a hardware component.</p>	<p>Software problem solving</p> <ul style="list-style-type: none">● Check that your Macintosh supports USB.● Verify that your Macintosh operating system is Mac OS X V10.3 or Mac OS X V10.4.● Ensure that your Macintosh has the appropriate USB software from Apple. <p>Hardware problem solving</p> <ul style="list-style-type: none">● Check that the device is turned on.● Verify that the USB cable is connected correctly.● Check that you are using the appropriate high-speed USB cable.● Ensure that you do not have too many USB devices drawing power from the chain. Disconnect all of the devices from the chain, and connect the cable directly to the USB port on the host computer.● Check to see if more than two nonpowered USB hubs are connected in a row on the chain. Disconnect all of the devices from the chain and connect the cable directly to the USB port on the host computer. <p>NOTE: The iMac keyboard is a nonpowered USB hub.</p>

Problem-solving tools

The section describes the tools that can help you solve problems with your device.

Restoring the factory-set defaults

Restoring the factory-set defaults returns all of the settings to the factory defaults.

△ **CAUTION:** This procedure deletes any pages that are stored in the memory. The procedure then automatically restarts the device.

1. On the device control panel, press **Menu/Enter**.
2. Use the < or the > button to select **Service**, and then press **Menu/Enter**.
3. Use the < or the > button to select **Restore defaults**, and then press **Menu/Enter**.

The device automatically restarts.

Reducing paper curl

Use the **Less paper curl** setting to reduce curl in printed media.

1. On the device control panel, press **Menu/Enter**.
2. Use the < or the > button to select **Service**, and then press **Menu/Enter**.
3. Use the < or the > button to select **Less paper curl**, and then press **Menu/Enter**.
4. Use the < or the > button to select **On**, and then press **Menu/Enter**.

A Accessories and ordering information

- [Supplies](#)
- [Cable and interface accessories](#)
- [User-replaceable parts](#)
- [Paper and other print media](#)

The following list of accessories was current at the time of printing. Ordering information and availability of the accessories might change during the life of the device. For the most current ordering information, visit the most appropriate of the following Web sites:

- North America: www.hp.com/go/ordersupplies-na
- Europe and Middle East: www.hp.com/go/ordersupplies-emea
- Asia Pacific countries/regions: www.hp.com/go/ordersupplies-ap
- Latin America: www.hp.com/go/ordersupplies-la

Supplies

Product name	Description	Part number
Black print cartridge	Average yield for the standard print cartridge is approximately 2,000 pages. Actual yield depends on use.	Q2612A


Cable and interface accessories

Product name	Description	Part number
USB cable	2-meter standard USB-compatible device connector	C6518A

User-replaceable parts

Product name	Description	Part number
Separation pad and pickup rollers	Replace when the device is picking up multiple sheets or no sheets. Trying different paper did not resolve the problem.	Contact HP Customer Care to order parts.

Paper and other print media

 **NOTE:** Inkjet paper is not recommended for the device.

Product name	Description	Part number
HP LaserJet paper	Premium HP-brand paper for use with HP LaserJet printers.	HPJ1124 (letter)
HP Premium Choice LaserJet paper	HP bond paper with a weight of 120 g/m ² (32 lb).	HPU1132 (letter)
HP Cover paper	HP-brand paper with a weight of 200 g/m ² (75-lb cover). Use for printing postcards and document covers.	Q2413A (letter) 100 sheets
HP Printing paper	HP-brand paper for use with HP LaserJet printers.	HPP1122 (letter)
HP Multipurpose paper	HP-brand paper for a variety of uses.	HPM1120 (letter)
HP LaserJet Tough paper	Robust paper with a satin finish. Paper will not tear and will withstand the weather. For documents requiring durability and longevity.	Q1298A (letter)
HP High Gloss laser paper	High-gloss finish coating on both sides. Use for brochures, catalogs, photographs, and whenever a high-gloss finish is desired.	Q2419A (letter) 200 sheets
HP Soft Gloss laser paper	Satin finish coating on both sides, 105 g/m ² (28 lb).	Q2415A (letter) 500 sheets

Product name	Description	Part number
HP Brochure Laser Paper, Matte	High opacity for two-sided printing with no show-through, 44 lb.	Q6543A (letter) 150 sheets
HP Photo and Imaging Laser Paper, Glossy	High-contrast glossy finish, 32 lb.	Q6545A (letter) 200 sheets
HP Photo and Imaging Laser Paper, Matte	High-contrast matte finish, 52 lb.	Q6549A (letter) 100 sheets
HP Presentation Laser Paper, Soft Gloss	Bright white for high contrast, 32 lb.	Q6541A (letter) 200 sheets
HP Recycled Content Paper	Matte finish on both sides, contains 30 percent post-consumer content (satisfies US Executive Order 13101), 75 g/m ² (20-lb bond).	HPE1120 (letter) 500 sheets

B Service and support

Hewlett-Packard limited warranty statement

HP PRODUCT

DURATION OF LIMITED WARRANTY

HP LaserJet M1005

One year limited warranty

HP warrants to you, the end-user customer, that HP hardware and accessories will be free from defects in materials and workmanship after the date of purchase, for the period specified above. If HP receives notice of such defects during the warranty period, HP will, at its option, either repair or replace products which prove to be defective. Replacement products may be either new or equivalent in performance to new.

HP warrants to you that HP software will not fail to execute its programming instructions after the date of purchase, for the period specified above, due to defects in material and workmanship when properly installed and used. If HP receives notice of such defects during the warranty period, HP will replace software which does not execute its programming instructions due to such defects.

HP does not warrant that the operation of HP products will be uninterrupted or error free. If HP is unable, within a reasonable time, to repair or replace any product to a condition as warranted, you will be entitled to a refund of the purchase price upon prompt return of the product.

HP products may contain remanufactured parts equivalent to new in performance or may have been subject to incidental use.

Warranty does not apply to defects resulting from (a) improper or inadequate maintenance or calibration, (b) software, interfacing, parts or supplies not supplied by HP, (c) unauthorized modification or misuse, (d) operation outside of the published environmental specifications for the product, or (e) improper site preparation or maintenance.

TO THE EXTENT ALLOWED BY LOCAL LAW, THE ABOVE WARRANTIES ARE EXCLUSIVE AND NO OTHER WARRANTY OR CONDITION, WHETHER WRITTEN OR ORAL, IS EXPRESSED OR IMPLIED AND HP SPECIFICALLY DISCLAIMS ANY IMPLIED WARRANTIES OR CONDITIONS OF MERCHANTABILITY, SATISFACTORY QUALITY, AND FITNESS FOR A PARTICULAR PURPOSE. Some countries/regions, states or provinces do not allow limitations on the duration of an implied warranty, so the above limitation or exclusion might not apply to you. This warranty gives you specific legal rights and you might also have other rights that vary from country/region to country/region, state to state, or province to province. HP's limited warranty is valid in any country/region or locality where HP has a support presence for this product and where HP has marketed this product. The level of warranty service you receive may vary according to local standards. HP will not alter form, fit or function of the product to make it operate in a country/region for which it was never intended to function for legal or regulatory reasons.

TO THE EXTENT ALLOWED BY LOCAL LAW, THE REMEDIES IN THIS WARRANTY STATEMENT ARE YOUR SOLE AND EXCLUSIVE REMEDIES. EXCEPT AS INDICATED ABOVE, IN NO EVENT WILL HP OR ITS SUPPLIERS BE LIABLE FOR LOSS OF DATA OR FOR DIRECT, SPECIAL, INCIDENTAL, CONSEQUENTIAL (INCLUDING LOST PROFIT OR DATA), OR OTHER DAMAGE, WHETHER BASED IN CONTRACT, TORT, OR OTHERWISE. Some countries/regions, states or provinces do not allow the exclusion or limitation of incidental or consequential damages, so the above limitation or exclusion may not apply to you.

THE WARRANTY TERMS CONTAINED IN THIS STATEMENT, EXCEPT TO THE EXTENT LAWFULLY PERMITTED, DO NOT EXCLUDE, RESTRICT OR MODIFY AND ARE IN ADDITION TO THE MANDATORY STATUTORY RIGHTS APPLICABLE TO THE SALE OF THIS PRODUCT TO YOU.

Print Cartridge Limited Warranty Statement

This HP product is warranted to be free from defects in materials and workmanship.

This warranty does not apply to products that (a) have been refilled, refurbished, remanufactured, or tampered with in any way, (b) experience problems resulting from misuse, improper storage, or operation outside of the published environmental specifications for the printer product, or (c) exhibit wear from ordinary use.

To obtain warranty service, please return the product to place of purchase (with a written description of the problem and print samples) or contact HP customer support. At HP's option, HP will either replace products that prove to be defective or refund your purchase price.

TO THE EXTENT ALLOWED BY LOCAL LAW, THE ABOVE WARRANTY IS EXCLUSIVE AND NO OTHER WARRANTY OR CONDITION, WHETHER WRITTEN OR ORAL, IS EXPRESSED OR IMPLIED AND HP SPECIFICALLY DISCLAIMS ANY IMPLIED WARRANTIES OR CONDITIONS OF MERCHANTABILITY, SATISFACTORY QUALITY, AND FITNESS FOR A PARTICULAR PURPOSE.

TO THE EXTENT ALLOWED BY LOCAL LAW, IN NO EVENT WILL HP OR ITS SUPPLIERS BE LIABLE FOR DIRECT, SPECIAL, INCIDENTAL, CONSEQUENTIAL (INCLUDING LOST PROFIT OR DATA), OR OTHER DAMAGE, WHETHER BASED IN CONTRACT, TORT, OR OTHERWISE.

THE WARRANTY TERMS CONTAINED IN THIS STATEMENT, EXCEPT TO THE EXTENT LAWFULLY PERMITTED, DO NOT EXCLUDE, RESTRICT OR MODIFY AND ARE IN ADDITION TO THE MANDATORY STATUTORY RIGHTS APPLICABLE TO THE SALE OF THIS PRODUCT TO YOU.

Availability of support and service

Around the world, HP provides a variety of service and support options for purchase. Availability of these programs will vary depending upon your location. For details, see the support flyer that is included in the box with your device.

HP Customer Care

Online Services

For 24-hour access to updated HP device-specific software, product information, and support information using an Internet connection, go to www.hp.com/support/ljm1005.

Telephone support

HP provides free telephone support during the warranty period. For the telephone number for your country/region, see the flyer that shipped with the device, or visit www.hp.com and click **Contact HP**. Before calling HP, have the following information ready: the product name and serial number, the date of purchase, and a description of the problem.

HP direct ordering for accessories or supplies

- North America: www.hp.com/go/ordersupplies-na
- Europe and Middle East: www.hp.com/go/ordersupplies-emea
- Asia Pacific countries/regions: www.hp.com/go/ordersupplies-ap
- Latin America: www.hp.com/go/ordersupplies-la

To order genuine HP parts or accessories, go to the HP Parts Store at www.hp.com/buy/parts (U.S. and Canada only), or call 1-800-538-8787 (U.S.) or 1-800-387-3154 (Canada).

HP service information

To locate HP-Authorized Dealers, call 1-800-243-9816 (U.S.) or 1-800-387-3867 (Canada).

Outside the United States and Canada, call the customer support number for your country/region. See the flyer that shipped in the box with the device.

HP service agreements

Call 1-800-835-4747 (U.S.) or 1-800-268-1221 (Canada).

HP service information

HP's customer self-repair programs offer our North American customers the fastest service under either warranty or contract. It enables HP to ship replacement parts directly to you (the end user) so that you can replace them. Using this program, you can replace parts at your own convenience.

HP support and information for Macintosh computers

Go to www.hp.com/go/macosex for Macintosh OS X support information and HP subscription service for driver updates.

Go to www.hp.com/go/mac-connect for products that are designed specifically for the Macintosh user.

Hardware service

If your hardware fails during the warranty period, Hewlett-Packard offers the following support options:

- **Hewlett-Packard repair services:** Hewlett-Packard will arrange to pick up the unit, repair it, and return it to you within 5 to 10 days, depending on your location.
- **Hewlett-Packard authorized service provider:** You can return the unit to a local authorized service dealer.

Extended warranty

HP Care Pack provides coverage for the HP product and all HP-supplied internal components. The hardware maintenance covers a one to three-year period from the date of the HP product purchase. The customer may purchase an HP Care Pack up to one year from the date of purchase of the HP product. For more information, contact the HP Customer Care Service and Support group. See [HP Customer Care on page 108](#).

HP Care Pack options might be available after the standard warranty period has expired. Go to www.hpexpress-services.com/10467a/ and enter the product number to identify the HP Care Pack options that are available for your product.

Guidelines for repacking the device

Use the following guidelines when repacking the device:

- If possible, include print samples and 5 to 10 sheets of paper or other media that did not print correctly.
 - Remove and keep any cables, trays, and optional accessories installed in the printer.
 - Remove and keep the print cartridge.
-
- △ **CAUTION:** To prevent damage to the print cartridge, store the print cartridge in its original packing material, or store it so that it is not exposed to light.
-
- If possible, use the original shipping container and packing material. *Shipping damage as a result of inadequate packing is your responsibility.* If you have already disposed of the device packing material, contact a local mailing service for information on repacking the device.
 - Hewlett-Packard recommends that you insure the equipment for shipment.

C Device specifications

This section contains the following information about the device:

- [Physical specifications](#)
- [Electrical specifications](#)
- [Power consumption](#)
- [Environmental specifications](#)
- [Acoustic emissions](#)

Physical specifications

Table C-1 Physical specifications

Height	Depth	Width	Weight ¹
308 mm (12.13 inches)	363 mm (14.3 inches)	437 mm (17.2 inches)	8.3 kg (18.4 lb)

¹ Weight does not include print cartridge, which weighs 0.7 kg (1.5 lb).

Electrical specifications

△ **CAUTION:** Power requirements are based on the country/region where the device is sold. Do not convert operating voltages. This will damage the device and void the product warranty.

Table C-2 Electrical specifications

Item	110-volt models	220-volt models
Power requirements	110 to 127 V (+/- 10%)	220 to 240 V (+/- 10%)
	XX / XX Hz (+/- 2 Hz)	XX / XX Hz (+/- 2 Hz)
Rated current	X.X A	X.X A

Power consumption

Table C-3 Power consumption (average, in watts)^{1,2}

Printing	Copying	Ready/Sleep ³	Off
XXX W	XXX W	X W	0 W

¹ Values are based on preliminary data. See www.hp.com/support/ljm1005 for current information.

² Power reported is highest values measured for monochrome printing/copying using all standard voltages.

³ The default time from Ready mode to Sleep mode and the recovery time from Sleep mode to start of printing is less than 10 seconds because of instant-on fusing.

⁴ Maximum heat dissipation for all models in Ready mode = 51.2 BTU/hour.

⁵ Print speed is 15 ppm letter-size and 14 ppm A4-size.

Environmental specifications

Table C-4 Environmental specifications

	Recommended ¹	Operating ¹	Storage ¹
(Device and print cartridge)	XX° to XX°C	XX° to XX.X°C	X° to XX°C
Temperature	(XX° to XX°F)	(XX° to XX.X°F)	(XX° to XXX°F)
Relative humidity	XX% to XX%	XX% to XX%	X% or less

¹ Values are subject to change. See the support Web sites listed in [HP Customer Care on page 108](#) for current information.

Acoustic emissions

Table C-5 Acoustic emissions ^{1,2}

Sound Power Level	Declared per ISO 9296
Printing (15 ppm) ³	$L_{WA,d} = X.X \text{ Bels (A) [XX dB (A)]}$
Ready	Essentially Inaudible
Sound Pressure Level - Bystander Position	Declared per ISO 9296
Printing (15 ppm) ³	$L_{pAm} = XX \text{ dB (A)}$
Ready	Essentially Inaudible

¹ Values are based on preliminary data. See www.hp.com/support/ljm1005 for current information.

² Configuration tested: HP LaserJet M1005 MFP, letter.

³ Print speed is 15 ppm letter-size and 14 ppm A4-size.

D Regulatory information


This section contains the following regulatory information:

- [FCC compliance](#)
- [Environmental Product Stewardship program](#)
- [Declaration of conformity](#)
- [Country-/region-specific safety statements](#)

FCC compliance

This equipment has been tested and found to comply with the limits for a Class B digital device, pursuant to Part 15 of the FCC rules. These limits are designed to provide reasonable protection against harmful interference in a residential installation. This equipment generates, uses, and can radiate radio frequency energy. If it is not installed and used in accordance with the instructions, it may cause harmful interference to radio communications. However, there is no guarantee that interference will not occur in a particular installation. If this equipment does cause harmful interference to radio or television reception, which can be determined by turning the equipment off and on, the user is encouraged to try to correct the interference by one or more of the following measures:

- Reorient or relocate the receiving antenna.
- Increase separation between equipment and receiver.
- Connect equipment to an outlet on a circuit different from that to which the receiver is located.
- Consult your dealer or an experienced radio/TV technician.

 **NOTE:** Any changes or modifications to the printer that are not expressly approved by Hewlett-Packard could void the user's authority to operate this equipment.

Use of a shielded interface cable is required to comply with the Class B limits of Part 15 of FCC rules.

Environmental Product Stewardship program

Protecting the environment

Hewlett-Packard Company is committed to providing quality products in an environmentally sound manner. This product has been designed with several attributes to minimize impacts on our environment.

Ozone production

This product generates no appreciable ozone gas (O₃).

Power consumption

Power usage drops significantly while in PowerSave/Sleep mode, which saves natural resources and saves money without affecting the high performance of this product. **This product qualifies for ENERGY STAR® (Version 1.0), which is a voluntary program established to encourage the development of energy-efficient office products.**



ENERGY STAR is a U.S. registered service mark of the U.S. Environmental Protection Agency. As an ENERGY STAR® partner, Hewlett-Packard Company has determined that this product meets ENERGY STAR® Guidelines for energy efficiency. For more information, see www.energystar.gov.

Toner consumption

EconoMode uses significantly less toner, which might extend the life of the print cartridge.

Paper use

The device manual duplex features (two-sided printing) (see [Printing on both sides on page 33](#) for Windows and [Printing on both sides \(Macintosh\) on page 37](#) for Macintosh) and N-up printing capability (multiple pages printed on one sheet) (see [Printing multiple pages on one sheet of paper on page 32](#) for Windows and [Printing multiple pages on one sheet of paper \(Macintosh\) on page 36](#) for Macintosh) can reduce paper usage and the resulting demands on natural resources.

Plastics

Plastic parts over 25 grams are marked according to international standards that enhance the ability to identify plastics for recycling purposes at the end of the device's life.

HP LaserJet printing supplies

It's easy to return and recycle your empty HP LaserJet print cartridges—free of charge—with HP Planet Partners. HP is committed to providing inventive, high-quality products and services that are environmentally sound, from product design and manufacturing to distribution, operation, and recycling processes. We ensure your returned HP LaserJet print cartridges are recycled properly, processing them to recover valuable plastics and metals for new products and diverting millions of tons of waste from landfills. Since this cartridge is being recycled and used in new materials, it will not be returned to you. Your empty HP LaserJet print cartridges are recycled responsibly when you participate in the HP Planet Partners program. Thank you for being environmentally responsible!

In many countries/regions, this product's printing supplies (for example, the print cartridge, drum) can be returned to HP through the HP Printing Supplies Returns and Recycling Program. An easy-to-use and free takeback program is available in more than 35 countries/regions. Multilingual program information and instructions are included in every new HP LaserJet print cartridge and supplies package.

HP Printing Supplies Returns and Recycling Program Information

Since 1992, HP has offered HP LaserJet supplies return and recycling free of charge. In 2004, HP Planet Partners for LaserJet Supplies was available in 85% of the world market where HP LaserJet supplies are sold. Postage-paid and pre-addressed labels are included within the instruction guide in most HP LaserJet print cartridge boxes. Labels and bulk boxes are also available through the Web site: www.hp.com/go/recycle.

Use the label to return empty, original HP LaserJet print cartridges only. Please do not use this label for non-HP cartridges, refilled or remanufactured cartridges, or warranty returns. Printing supplies or other objects inadvertently sent to the HP Planet Partners program cannot be returned.

More than 10 million HP LaserJet print cartridges were recycled globally in 2004 through the HP Planet Partners supplies recycling program. This record number represents 26 million pounds of print cartridge materials diverted from landfills. Worldwide, in 2004, HP recycled an average of 59% of the print cartridge by weight consisting primarily of plastic and metals. Plastics and metals are used to make new products such as HP products, plastic trays and spools. The remaining materials are disposed of in an environmentally responsible manner.

U.S. returns

For a more environmentally responsible return of used cartridges and supplies, HP encourages the use of bulk returns. Simply bundle two or more cartridges together and use the single, pre-paid, pre-addressed UPS label that is supplied in the package. For more information in the U.S., call 1-800-340-2445 or visit the HP Web site at www.hp.com/go/recycle.

Non-U.S. returns

Non-U.S. customers should visit the www.hp.com/go/recycle Web site for further information regarding availability of the HP Printing Supplies Returns and Recycling Program.

Paper

This device is capable of using recycled papers, when the paper meets the guidelines outlined in the *HP LaserJet Printer Family Print Media Guide*, which you can view on the Web at www.hp.com/support/ljpaperguide. This product is suitable for the use of recycled paper according to EN12281:2002.

Material restrictions

This HP product does not contain added mercury. This HP product does not contain batteries.

Disposal of waste equipment by users in private household in the European Union



This symbol on the product or on its packaging indicates that this product must not be disposed of with your other household waste. Instead, it is your responsibility to dispose of your waste equipment by handing it over to a designated collection point for the recycling of waste electrical and electronic equipment. The separate collection and recycling of your waste equipment at the time of disposal will help to conserve natural resources and ensure that it is recycled in a manner that protects human health and the environment. For more information about where you can drop off your waste equipment for recycling, please contact your local city office, your household waste disposal service or the shop where you purchased the product.

Material safety data sheet

Material safety data sheets (MSDS) for supplies containing chemical substances (for example, toner) can be obtained by visiting the HP Web site at: www.hp.com/go/msds or www.hp.com/hpinfo/community/environment/productinfo/safety.

For more information

Visit www.hp.com/go/environment or www.hp.com/hpinfo/community/environment/productinfo/safety for more information about the following environmental topics.

- Product environmental profile sheet for this and many related HP products
- Hewlett Packard's commitment to the environment
- Hewlett Packard's environmental management system
- Hewlett Packard's end-of-life product return and recycling program
- MSDS

Declaration of conformity

Declaration of Conformity

according to ISO/IEC Guide 22 and EN 45014

Manufacturer's Name: Hewlett-Packard Company
Manufacturer's Address: 11311 Chinden Boulevard,
Boise, Idaho 83714-1021, USA

declares, that the product

Product Names: HP LaserJet M1005 MFP series
Regulatory Model Number³⁾ BOISB-0207-01
Print Cartridge Q2612A
Product Options: ALL

conforms to the following Product Specifications:

Safety: IEC 60950-1:2001 / EN60950-1: 2001 +A11
IEC 60825-1:1993 +A1 +A2
EN 60825-1:1994 +A1 +A2 (Class 1 Laser/LED Product)
GB4943-2001

EMC: CISPR22:2003 +A1 / EN55022:2005 - Class B¹⁾
EN 61000-3-2:2000
EN 61000-3-3:1995 +A1
EN 55024:1998 +A1 +A2
FCC Title 47 CFR, Part 15 Class B²⁾ / ICES-003, Issue 4
GB9254-1998, GB17625.1-2003

Supplementary Information:

The product herewith complies with the requirements of the EMC Directive 89/336/EEC and the Low Voltage Directive 73/23/EEC, and carries the CE-Marking accordingly.

- 1) The product was tested in a typical configuration with Hewlett-Packard Personal Computer Systems.
- 2) This Device complies with Part 15 of the FCC Rules. Operation is subject to the following two Conditions: (1) this device may not cause harmful interference, and (2) this device must accept any interference received, including interference that may cause undesired operation.
- 3) For regulatory purposes, this product is assigned a Regulatory model number. This number should not be confused with the marketing name or the product number(s).

Boise, Idaho 83713, USA

January 1, 2006

For regulatory topics only:

Australia Contact: Product Regulations Manager, Hewlett-Packard Australia Ltd., 31-41 Joseph Street, Blackburn, Victoria 3130, Australia
European Contact: Your Local Hewlett-Packard Sales and Service Office or Hewlett-Packard GmbH, Department HQ-TRE / Standards Europe, Herrenberger Strasse 140, Böblingen, D-71034, Germany, (FAX: +49-7031-14-3143)
USA Contact: Product Regulations Manager, Hewlett-Packard Company, PO Box 15, Mail Stop 160, Boise, Idaho 83707-0015, USA, (Phone: 208-396-6000)

Country-/region-specific safety statements

Laser safety statement

The Center for Devices and Radiological Health (CDRH) of the U.S. Food and Drug Administration has implemented regulations for laser products manufactured since August 1, 1976. Compliance is mandatory for products marketed in the United States. The printer is certified as a "Class 1" laser product under the U.S. Department of Health and Human Services (DHHS) Radiation Performance Standard according to the Radiation Control for Health and Safety Act of 1968.

Since radiation emitted inside the printer is completely confined within protective housings and external covers, the laser beam cannot escape during any phase of normal user operation.

△ **WARNING!** Using controls, making adjustments, or performing procedures other than those specified in this user guide may result in exposure to hazardous radiation.

Canadian DOC statement

Complies with Canadian EMC Class B requirements.

«Conforme à la classe B des normes canadiennes de compatibilité électromagnétiques (CEM).»

Korean EMI statement

사용자 안내문 (B 급 기기)

이 기기는 비업무용으로 전자파장해검정을 받은 기기로서, 주거지역에서는 물론 모든 지역에서 사용할 수 있습니다.

Finnish laser statement

LASERTURVALLISUUS

LUOKAN 1 LASERLAITE

KLASS 1 LASER APPARAT

HP LaserJet M1005 MFP - laserkirjoitin on käyttäjän kannalta turvallinen luokan 1 laserlaite. Normaalisissa käytössä kirjoittimen suojakotelointi estää lasersäteen pääsyn laitteen ulkopuolelle.

Laitteen turvallisuusluokka on määritetty standardin EN60825-1 (1994) mukaisesti.

VAROITUS!

Laitteen käyttäminen muulla kuin käyttöohjeessa mainitulla tavalla saattaa altistaa käyttäjän turvallisuusluokan 1 ylittävälle näkymättömälle lasersäteilylle.

VARNING!

Om apparaten används på annat sätt än i bruksanvisning specificerats, kan användaren utsättas för osynlig laserstrålning, som överskrider gränsen för laserklass 1.

HUOLTO

HP LaserJet M1005 MFP -kirjoittimen sisällä ei ole käyttäjän huollettavissa olevia kohteita. Laitteen saa avata ja huoltaa ainoastaan sen huoltamiseen koulutettu henkilö. Tällaiseksi huoltotoimenpiteeksi ei katsota väriainekasetin vaihtamista, paperiradan puhdistusta tai muita käyttäjän käsikirjassa lueteltuja, käyttäjän tehtäväksi tarkoitettuja ylläpitotoimia, jotka voidaan suorittaa ilman erikoistyökaluja.

VARO!

Mikäli kirjoittimen suojakotelo avataan, olet alttiina näkymättömälle lasersäteilylle laitteen ollessa toiminnassa. Älä katso säteeseen.

VARNING!

Om laserprinterns skyddshölje öppnas då apparaten är i funktion, utsättas användaren för osynlig laserstrålning. Betrakta ej strålen.

Tiedot laitteessa käytettävän laseriodin säteilyominaisuuksista:

Aallonpituus 770-800 nm

Teho 5 mW

Luokan 3B laser

Glossary

browser Short for Web browser, a software program that is used to locate and open Web pages.

contrast The difference between the dark and light areas of an image. The lower the number value, the more closely the shades resemble each other. The higher the number, the more the shades appear separate from each other.

dots per inch (dpi) A measurement of resolution that is used for printing. Generally, more dots per inch result in a higher resolution, more visible detail in the image, and a larger file size.

e-mail (electronic mail) An abbreviation for electronic mail. Software that can be used to electronically transmit items over a communications network.

file format The way the contents of a file are structured by a program or group of programs.

grayscale Shades of gray that represent light and dark portions of an image when color images are converted to grayscale; colors are represented by various shades of gray.

halftone An image type that simulates grayscale by varying the number of dots. Highly colored areas consist of a large number of dots, while lighter areas consist of a smaller number of dots.

link A connection to a program or device that can be used to send information from the device software to other programs, such as e-mail or OCR links.

optical character recognition (OCR) software OCR software converts an electronic image of text, such as a scanned document, into a form that word processor, spreadsheet, and database programs can use.

pixels per inch (ppi) A measurement of resolution that is used for scanning. Generally, more pixels per inch result in a higher resolution, more visible detail in the image, and a larger file size.

printer driver A printer driver is a program that software programs use to gain access to device features. A printer driver translates software program formatting commands (such as page breaks and font selection) into a printer language, and then sends the print file to the device.

Readiris An optical character recognition (OCR) program that was developed by I.R.I.S. and that is included with the device software.

resolution The sharpness of an image, measured in dots per inch (dpi). The higher the dpi, the greater the resolution.

surge protector A device that protects a power supply and communications lines from electrical surges.

TWAIN An industry standard for scanners and software. By using a TWAIN-compliant scanner with a TWAIN-compliant program, a scan can be initiated from within the program.

URL Uniform resource locator, the global address of documents and resources on the Internet. The first part of the address indicates what protocol to use, the second part specifies the IP address or the domain name where the resource is located.

USB Universal serial bus (USB) is a standard that was developed by the USB Implementers Forum, Inc., to connect computers and peripherals. USB is designed to concurrently connect a single computer USB port to multiple peripherals.

watermarks A watermark adds background text to a document that is being printed. For example, "Confidential" can be printed in the background text of a document to indicate that the document is confidential. A selection can be made from a set of predefined watermarks, and the font, size, angle, and style can be changed. The printer can place the watermark on the first page only or all pages.

WIA Windows Imaging Architecture (WIA) is an imaging architecture that is available in Windows Me and Windows XP. A scan can be initiated from within these operating systems by using a WIA-compliant scanner.

Index

Symbols/Numerics

600 dpi print-quality setting 83

A

accessibility features 2

accessories

ordering 108

part numbers 102

acoustic emissions 113

alert messages 80

Apple Macintosh. See Macintosh

archive print 39

B

background, gray 85

bands, troubleshooting 85

battery specifications 118

bin, output

capacity 2

jams, clearing 78

locating 3

black and white scanning 62

blank copies, troubleshooting 94

blank pages

adding to printouts 32

troubleshooting 90

blank scans, troubleshooting 96

books

copying 52

scanning 59

both sides, copying 50

both sides, printing on

Macintosh 37

Windows 33

buttons, control panel 4

C

cables

part numbers 102

USB, troubleshooting 90

Canadian DOC statement 121

canceling

copy jobs 42

print jobs 40

scan jobs 57

capacity

output bin 2

priority input slot 21

tray 1 21

trays 21

card stock

guidelines for using 19

printing on 17

priority input tray, loading 24

specifications 21

cartridge-door release, locating 3

cartridges

HP fraud hotline 66

part numbers 102

recycling 65, 118

replacing 69

reusing 65

status, checking 65

storing 65, 112

warranty 107

characters, troubleshooting 86

cleaning

exterior 67

glass 67

lid backing 67

cleaning page, printing 68

color, scanning settings 61, 62

colored paper, specifications 17

Configuration report 64

contrast settings, copy 44

control panel

buttons 4

display, troubleshooting 97

language, selecting 27

locating 3

messages, troubleshooting 80

copying

books 52

canceling 42

contrast, adjusting 44

enlarging 45

media settings 48

media, troubleshooting 92

multiple pages per sheet 46

number of copies 47

photos 52

quality, adjusting 42

quality, troubleshooting 91

reducing 45

size, troubleshooting 94

starting a job 42

troubleshooting 94

two-sided documents 50

viewing settings 53

covers, document

Macintosh 36

paper specifications 21

Windows settings 32

creases, troubleshooting 87

crooked pages 87, 89

curled media 87, 100

custom paper sizes

driver settings 32

printing on 17

Customer Care 108

customer support

availability of 108

service agreements 108

telephone 108

Web sites 108

D

dark copying 92

darkness settings, copy 44

- declaration of conformity 120
 - default media size and type,
 - setting 27
 - defaults, restoring 100
 - Demo page, printing 64
 - dimensions, device 112
 - dots per inch (dpi)
 - print settings 83
 - specifications 2
 - dots, troubleshooting 85
 - double-sided copying 50
 - double-sided printing
 - Macintosh 37
 - Windows 33
 - dpi (dots per inch)
 - print settings 83
 - specifications 2
 - drivers
 - help, Windows 8
 - Macintosh settings 35
 - Macintosh, troubleshooting 98
 - presets (Macintosh) 35
 - quick sets (Windows) 30
 - settings, changing 9
 - supported 8
 - system requirements 6
 - Windows settings 30
 - dropouts, troubleshooting 85
 - duplexing
 - Macintosh 37
 - Windows 33
- E**
- e-mail, resolution settings for 62
 - electrical specifications 112
 - energy consumption 116
 - Energy Star compliance 2
 - enlarging documents
 - copying 45
 - printing 31
 - envelopes
 - guidelines for using 18
 - priority input tray, loading 24
 - storing 19
 - tray capacity 21
 - Environmental Product
 - Stewardship program 116
 - environmental specifications
 - device 112
 - paper 22
- F**
- factory-set defaults, restoring 100
 - faded print 84
 - FastRes 2
 - FCC compliance 116
 - features 2
 - feeding problems,
 - troubleshooting 89
 - Finnish laser statement 122
 - first page
 - blank 32
 - Macintosh settings 36
 - Windows settings 32
 - flatbed scanner
 - cleaning 67
 - loading 24
 - fraud hotline 66
- G**
- glass, cleaning 67
 - glossary of terms 123
 - gray background,
 - troubleshooting 85
 - grayscale scanning 62
- H**
- hardware service 109
 - heavy paper
 - guidelines for using 19
 - printing on 17
 - priority input tray, loading 24
 - specifications 21
 - help, Windows printer drivers 8
 - HP Customer Care 108
 - HP fraud hotline 66
 - HP LaserJet Scan (Windows) 57
 - HP Printing Supplies Returns and
 - Recycling Program 118
 - humidity specifications
 - device environment 112
 - paper, storing 22
- I**
- image quality
 - cleaning page, printing 68
 - copy, troubleshooting 91
 - print, troubleshooting 83, 84
 - scans, troubleshooting 95, 96
 - information pages
 - Configuration 64
 - Demo 64
 - language, selecting 27
 - Menu structure 64
 - ink cartridges. See print cartridges
 - input trays. See trays
 - installation, software
 - Macintosh 11
 - programs included 7
 - interface ports
 - cables, ordering 102
 - troubleshooting Macintosh 98
 - types included 2
- J**
- jams
 - causes of 74
 - input tray, clearing 76
 - locating 75
 - output bins, clearing 78
 - preventing 74
 - print-cartridge area,
 - clearing 78
- K**
- keys, control panel 4
 - Korea EMI statement 121
- L**
- labels
 - guidelines for using 17
 - tray capacity 21
 - language, control panel
 - display 27
 - laser safety statements 121
 - LaserJet Scan (Windows) 57
 - last page, blank 32
 - letterhead 20
 - lid, cleaning 67
 - light copying 92
 - light print, troubleshooting 84
 - lightness, copy contrast
 - setting 44

- lines, troubleshooting
 - copies 91
 - printed pages 85
 - scans 96
- loading
 - input trays 24
 - originals on flatbed scanner 24
 - priority input tray 24
 - tray 1 25
- loose toner, troubleshooting 86
- M**
- Macintosh
 - driver settings 9, 35
 - driver supported 8
 - drivers, troubleshooting 98
 - installing software 11
 - problems, solving 98
 - scanning from TWAIN-compliant software 58
 - special media, printing on 39
 - support Web sites 108
 - supported operating systems 6
 - uninstalling software 11
 - USB card, troubleshooting 98
- material safety data sheet 119
- media
 - colored paper 17
 - copy settings 48
 - curled 100
 - curled, troubleshooting 87
 - custom sizes, setting 32
 - custom-sized, printing on 17
 - default size, changing 27
 - document size, selecting 31
 - first page, Macintosh settings 36
 - first page, Windows settings 32
 - HP, part numbers 102
 - jams 74
 - loading input trays 24
 - pages per sheet, copying 46
 - pages per sheet, Macintosh 36
 - pages per sheet, Windows 32
 - priority input tray 24
 - recommended 14
- selecting 14
- special, Macintosh settings 39
- specifications 21
- tray selection 26
- troubleshooting 16, 88
- types to avoid 14
- wrinkled 87
- memory
 - specifications 2
- Menu structure, printing 64
- mercury specifications 118
- messages
 - control panel 80
 - critical 81
- Microsoft Windows. *See* Windows
- multiple pages per sheet
 - copying 46
 - Macintosh 36
 - Windows 32
- N**
- n-up copying 46
- n-up printing
 - Macintosh 36
 - Windows 32
- noise specifications 113
- number of copies, changing 47
- O**
- OCR software 60
- on/off switch, locating 3
- online help, Windows printer drivers 8
- operating environment, specifications 112
- operating systems supported 6, 8
- optical character recognition software 60
- options. *See* settings
- ordering supplies and accessories 102, 108
- originals, loading 24
- output bin
 - capacity 2
 - jams, clearing 78
 - locating 3
- output quality
 - cleaning page, printing 68
 - copy, troubleshooting 91
 - print, troubleshooting 83, 84
 - scans, troubleshooting 95, 96
- ozone specifications 116
- P**
- Page Setup 26
- pages
 - blank 90
 - not printing 90
 - skewed 87, 89
- pages per minute 2
- pages per sheet
 - Macintosh 36
 - Windows 32
- paper
 - colored 17
 - copy settings 48
 - curled, troubleshooting 87, 100
 - custom sizes, setting 32
 - custom-sized, printing on 17
 - default size, changing 27
 - document size, selecting 31
 - first page, Macintosh settings 36
 - first page, Windows settings 32
 - HP, part numbers 102
 - jams 74
 - loading input trays 24
 - pages per sheet, copying 46
 - pages per sheet, Macintosh 36
 - pages per sheet, Windows 32
 - priority input tray 24
 - recommended 14
 - selecting 14
 - special media, Macintosh settings 39
 - specifications 21
 - tray selection 26
 - troubleshooting 16, 88
 - types to avoid 14
 - wrinkled 87
- paper path, cleaning 68
- part numbers
 - cables 102
 - media 102
 - supplies 102
 - user-replaceable parts 102

- parts, user-replaceable 102
 - phone numbers
 - HP fraud hotline 66
 - HP Printing Supplies Returns and Recycling Program 118
 - support 108
 - photos
 - copying 52
 - scanning 59
 - scanning, troubleshooting 95
 - physical specifications 112
 - pick-up rollers, ordering 102
 - pixels per inch (ppi), scanning resolution 61
 - ports
 - cables, ordering 102
 - troubleshooting Macintosh 98
 - types included 2
 - power
 - consumption 116
 - requirements 112
 - troubleshooting 72
 - power consumption 112
 - power switch, locating 3
 - ppi (pixels per inch), scanning resolution 61
 - preprinted paper 20
 - presets (Macintosh drivers) 35
 - print cartridge area jams, clearing 78
 - print cartridges
 - door release, locating 3
 - HP fraud hotline 66
 - part numbers 102
 - recycling 65, 118
 - replacing 69
 - reusing 65
 - status, checking 65
 - storing 65, 112
 - warranty 107
 - Print dialog box 26
 - Print Document On 31
 - print jobs, canceling 40
 - print media. *See* media
 - print quality
 - cleaning page, printing 68
 - settings 83
 - troubleshooting 83, 84
 - printer drivers
 - help, Windows 8
 - Macintosh settings 35
 - Macintosh, troubleshooting 98
 - presets (Macintosh) 35
 - quick sets (Windows) 30
 - settings, changing 9
 - supported 8
 - system requirements 6
 - Windows settings 30
 - printing
 - blank pages, adding 32
 - both sides, Macintosh 37
 - both sides, Windows 33
 - canceling 40
 - cover pages, Macintosh 36
 - covers, Windows 32
 - custom paper sizes 32
 - custom-size media 17
 - multiple pages per sheet, Macintosh 36
 - multiple pages per sheet, Windows 32
 - presets, Macintosh 35
 - quick sets, Windows 30
 - resizing documents 31
 - settings, changing 26
 - tray selection 26
 - troubleshooting 90
 - watermarks, Windows 31
 - priority input slot
 - loading 24
 - locating 3
 - paper specifications 21
 - problem solving. *See* troubleshooting
- Q**
- quality
 - cleaning page, printing 68
 - copy settings 42
 - copy, troubleshooting 91
 - print settings 83
 - print, troubleshooting 83, 84
 - scans, troubleshooting 95, 96
 - quick sets (Windows drivers) 30
- R**
- Readiris OCR software 60
 - recycling supplies 65, 118
 - redistribute toner 65
 - reducing documents
 - copying 45
 - printing 31
 - regulatory information 116
 - repacking the device 110
 - repair. *See* service
 - repetitive defects, troubleshooting 86, 88
 - replacing print cartridges 69
 - reports
 - Configuration report 64
 - Demo page 64
 - language, selecting 27
 - Menu structure 64
 - resizing documents
 - copying 45
 - printing 31
 - resolution
 - features 2
 - print settings 83
 - scanning 61
 - specifications 2
 - restoring factory-set defaults 100
 - rollers, ordering 102
- S**
- saving driver settings
 - Macintosh presets 35
 - Windows quick sets 30
 - scaling documents
 - copying 45
 - printing 31
 - scanner glass, cleaning 67
 - scanning
 - black and white 62
 - blank pages, troubleshooting 96
 - books 59
 - canceling 57
 - color 61
 - grayscale 62
 - HP LaserJet Scan (Windows) 57
 - loading originals on flatbed scanner 24
 - methods 56
 - OCR software 60
 - photos 59
 - quality, troubleshooting 95, 96

- resolution 61
- speed, troubleshooting 95
- TWAIN-compliant software 58
- WIA-compliant software 58
- scatter, troubleshooting 88
- separation pad, ordering 102
- serial number, product 64
- service
 - critical error messages 81
 - hardware 109
 - part numbers 102
- service agreements 108
- settings
 - changing 9
 - Configuration report 64
 - factory-set defaults, restoring 100
 - presets (Macintosh drivers) 35
 - print jobs 26
 - quick sets (Windows drivers) 30
- size, copy
 - reducing or enlarging 45
 - troubleshooting 94
- size, device 112
- sizes, media
 - default, changing 27
 - selecting trays by 26
 - supported 21
- skewed pages 87, 89
- slow speed, troubleshooting
 - printing 90
 - scanning 95
- smear toner, troubleshooting 86
- software
 - included 7
 - Macintosh, installing 11
 - Readiris OCR 60
 - scanning from TWAIN or WIA 58
 - settings, changing 9
 - supported operating systems 6
 - system requirements 6
 - uninstalling on Macintosh 11
 - uninstalling on Windows 10
- source, printing by 26
- special media
 - Macintosh settings 39
 - specifications 17
- specifications
 - acoustic emissions 113
 - electrical 112
 - environmental 112
 - features 2
 - paper 21
 - physical 112
- specks, troubleshooting 85
- speed
 - print specifications 2
 - printing, troubleshooting 90
 - scanning, troubleshooting 95
- spots, troubleshooting 85
- status, supplies 65
- stopping printing 40
- storing
 - device 112
 - envelopes 19
 - paper 22
 - print cartridges 65
- streaks, troubleshooting 85
- supplies
 - HP fraud hotline 66
 - ordering 108
 - recycling 65, 118
 - reusing 65
 - status, checking 65
 - storing 65
- support
 - availability of 108
 - service agreements 108
 - telephone 108
 - Web sites 108
- system requirements 6
- T**
- technical support
 - availability of 108
 - service agreements 108
 - telephone 108
 - Web sites 108
- telephone numbers
 - HP fraud hotline 66
 - HP Printing Supplies Returns and Recycling Program 118
 - support 108
- temperature specifications
 - device environment 112
 - paper, storing 22
- terminology 123
- text, troubleshooting 86
- toner
 - cleaning page, printing 68
 - loose, troubleshooting 86
 - scatter, troubleshooting 88
 - smear toner, troubleshooting 86
 - specks, troubleshooting 85
- toner cartridges. See print cartridges
- transparencies
 - guidelines for using 17
 - priority input tray, loading 24
 - tray capacity 21
- tray 1
 - loading media 25
 - loading paper 24
 - locating 3
 - paper specifications 21
- trays
 - capacities 2
 - Configuration report 64
 - feeding problems, troubleshooting 89
 - jams, clearing 76
 - loading 24
 - loading paper 24
 - locating 3
 - paper specifications 21
 - selecting 26
- troubleshooting
 - blank pages 90
 - blank scans 96
 - checklist 72
 - cleaning page 68
 - control panel display problems 97
 - control panel messages 80
 - copy quality 91
 - copy size 94
 - copying 94
 - critical error messages 81
 - curled media 87, 100
 - EPS files 98
 - faded print 84
 - feeding problems 89
 - jams 74

- lines, copies 91
 - lines, printed pages 85
 - lines, scans 96
 - loose toner 86
 - Macintosh problems 98
 - pages not printing 90
 - paper 16, 88
 - print quality 83
 - repetitive defects 86, 88
 - scan quality 95, 96
 - skewed pages 87, 89
 - text 86
 - toner scatter 88
 - toner smear 86
 - toner specks 85
 - USB cables 90
 - wrinkles 87
 - TWAIN-compliant software, scanning from 58
 - two-sided copying 50
 - two-sided printing
 - Macintosh 37
 - Windows 33
 - types, media
 - default, changing 27
 - selecting trays by 26
 - specifications 21
- U**
- uninstalling Macintosh software 11
 - uninstalling Windows software 10
 - USB port
 - locating 3
 - troubleshooting connection 90
 - troubleshooting Macintosh 98
 - type included 2
 - Use Different Paper/Covers 32
 - user-replaceable parts 102
- V**
- vertical lines, troubleshooting 85
 - vertical white or faded stripes 91
 - voltage requirements 112
- W**
- warning messages 80
 - warranty
 - device 106
 - extended 109
 - print cartridges 107
 - waste disposal 119
 - watermarks, Windows 31
 - wavy paper, troubleshooting 87
 - Web sites
 - Energy Star 116
 - HP Customer Care 108
 - HP Printing Supplies Returns and Recycling Program 118
 - Macintosh support 108
 - material safety data sheet 119
 - ordering supplies 101
 - supplies, ordering 108
 - weight
 - device 112
 - paper specifications 21
 - white or faded stripes 91
 - WIA-compliant software, scanning from 58
 - Windows
 - driver settings 30
 - driver supported 8
 - help, printer-driver 8
 - scanning from TWAIN or WIA software 58
 - settings, changing 9
 - supported operating systems 6
 - uninstalling software 10
 - wrinkles, troubleshooting 87

© 2008 Hewlett-Packard Development Company, L.P.

www.hp.com



CB376-90940